



# T&S BRASS AND BRONZE WORKS, INC.

2 Saddleback Cove / P.O. Box 1088  
Travelers Rest, SC 29690

Model No.

**B-2360**

Item No.

Travelers Rest, SC: 800-476-4103 • Simi Valley, CA: 800-423-0150 • Fax: 864-834-3518 • www.tsbrass.com



**ADA Compliant**

This Space for Architect/Engineer Approval

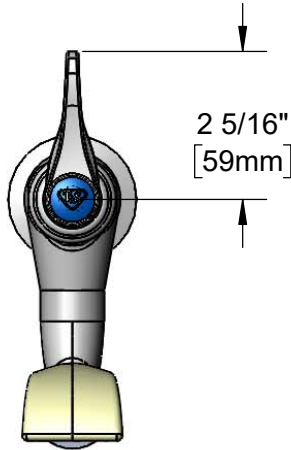
Job Name \_\_\_\_\_ Date \_\_\_\_\_

Model Specified \_\_\_\_\_ Quantity \_\_\_\_\_

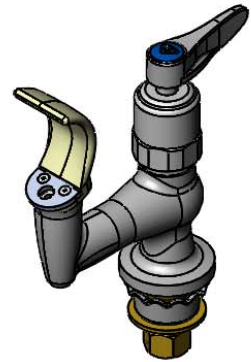
Customer/Wholesaler \_\_\_\_\_

Contractor \_\_\_\_\_

Architect/Engineer \_\_\_\_\_

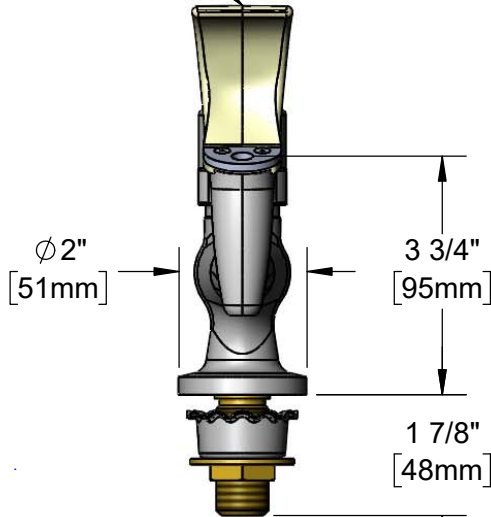


2 5/16"  
[59mm]



Fast Self-Closing Cartridge  
w/ Lever Handle w/  
VR Screw & Color Coded Index  
(Spanner Bit Included)

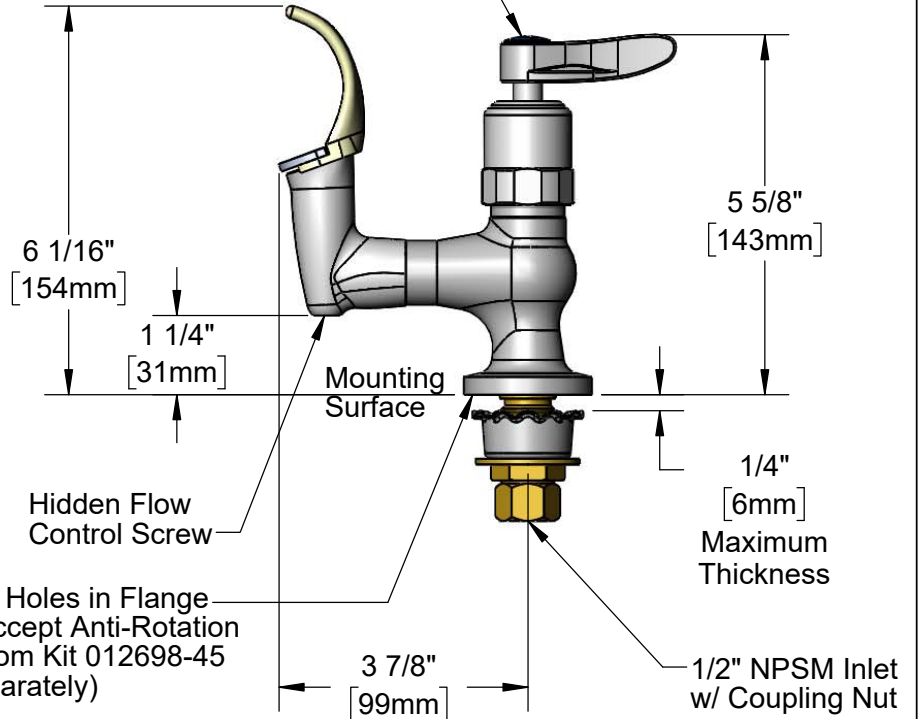
Rubber  
Mouth  
Guard



Ø 2"  
[51mm]

3 3/4"  
[95mm]

1 7/8"  
[48mm]



6 1/16"  
[154mm]

1 1/4"  
[31mm]

5 5/8"  
[143mm]

Mounting  
Surface

Hidden Flow  
Control Screw

1/4"  
[6mm]  
Maximum  
Thickness

Threaded Holes in Flange  
Bottom Accept Anti-Rotation  
Screws from Kit 012698-45  
(Sold Separately)

3 7/8"  
[99mm]

1/2" NPSM Inlet  
w/ Coupling Nut

Rough-In Requirement:  
Ø 1" [25mm] Mounting Hole

**Product Specifications:**

Bubbler w/ Fast Self-Closing Cartridge, Lever Handle w/ Vandal Resistant Screw, Rubber Mouth Guard & 1/2" NPSM Inlet w/ Coupling Nut

**Product Compliance:**

ASME A112.18.1 / CSA B125.1  
NSF 61 - Section 9  
NSF 372 (Low Lead Content)  
ANSI A117.1 (ADA)

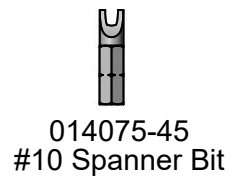
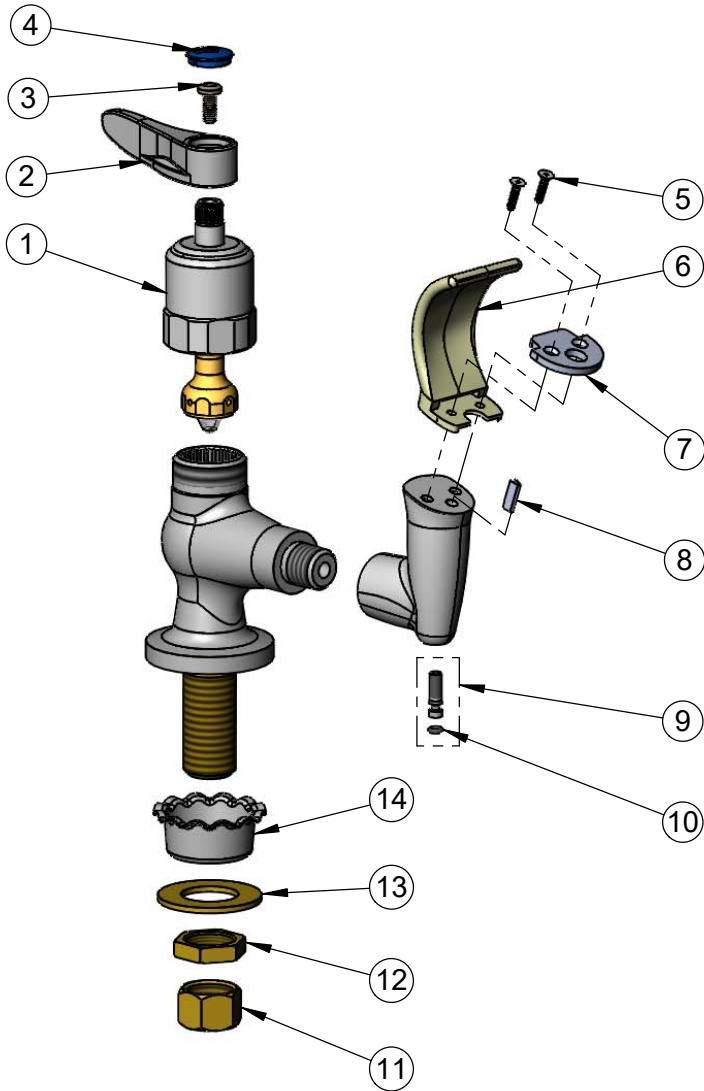


**T&S BRASS AND BRONZE WORKS, INC.**  
 2 Saddleback Cove / P.O. Box 1088  
 Travelers Rest, SC 29690

Model No.  
**B-2360**  
 Item No.

Travelers Rest, SC: 800-476-4103 • Simi Valley, CA: 800-423-0150 • Fax: 864-834-3518 • www.tsbrass.com

ITEM NO.	SALES NO.	DESCRIPTION
1	015317-40	Fast Self-Close Cartridge
2	001638-45NS	Lever Handle (New Style)
3	VRS-2	VR Wrist Action Handle Screw (2) w/ Spanner Bit
4	018506-19NS	Blue Button Index, Press-in
5	009598-45	Mouth Guard Screw
6	009595-45	Rubber Mouth Guard
7	009596-40	Mouth Guard Holder
8	009594-45	Flow Straightener
9	012697-45	Flow Control Screw
10	015319-45	O-Ring
11	000958-20	Coupling Nut
12	002954-45	Shank Lock Nut
13	000999-45	Brass Lock Washer
14	001000-45	Rosette Washer



Product Specifications:  
 Bubbler w/ Fast Self-Closing Cartridge, Lever Handle w/ Vandal Resistant Screw, Rubber Mouth Guard & 1/2" NPSM Inlet w/ Coupling Nut

Product Compliance:  
 ASME A112.18.1 / CSA B125.1  
 NSF 61 - Section 9  
 NSF 372 (Low Lead Content)  
 ANSI A117.1 (ADA)