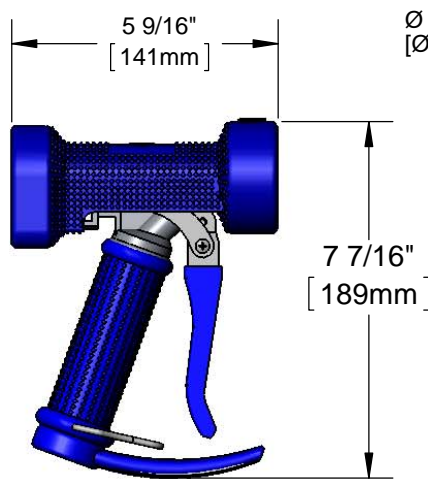




**Architect/Engineering Specifications:**

Heavy duty front trigger water gun, stainless steel with blue rubber cover, Ø 5/16" flow orifice and 1/2" NPT x 1/2" hose barb connector .

Job Name _____
Model Specified _____ Quantity _____
Variations Specified _____
Date _____



**Features & Benefits:**

- Heavy duty front trigger water gun
- Stainless steel with blue rubber cover
- 8.05 GPM water gun
- Rubber covered trigger guard
- Ø 5/16" flow orifice
- 1/2" NPT x 1/2" hose barb connector
- Material: Stainless steel and rubber

**Product Compliance:**

- NSF 61 Exempt (Non-Potable)

**Warranty:** One Year (Limited)

**Performance Data:**

- Pressure: 20 - 125 psi
- Temperature: 40 °F - 200 °F
- Flow Rate: 8.05 GPM @ 60 psi

