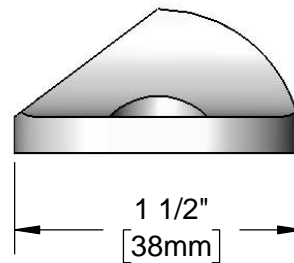
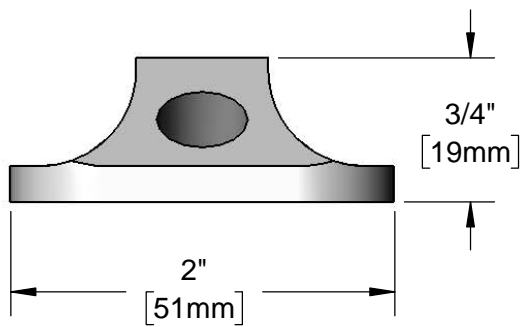
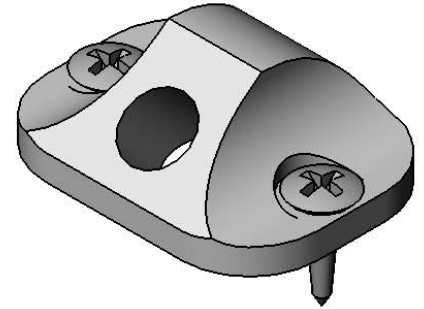




Architect/Engineering Specifications:

Polished chrome plated angled guide bushing and hardware.

Job Name _____
 Model Specified _____ Quantity _____
 Variations Specified _____
 Date _____



Features & Benefits:

- Chrome plated angled guide bushing
- Furnished with (2) screws
- For use with remote control valve unit
- Material: Polished chrome plated body

Product Compliance:

- N/A

Warranty: One Year (Limited)

Performance Data:

- N/A

