



Architect/Engineering Specifications:

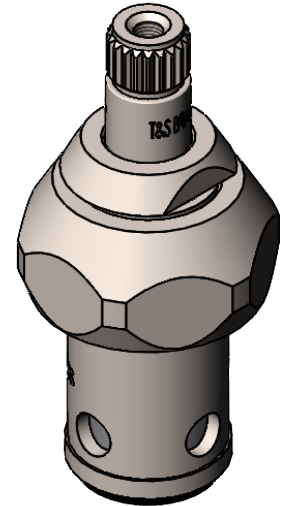
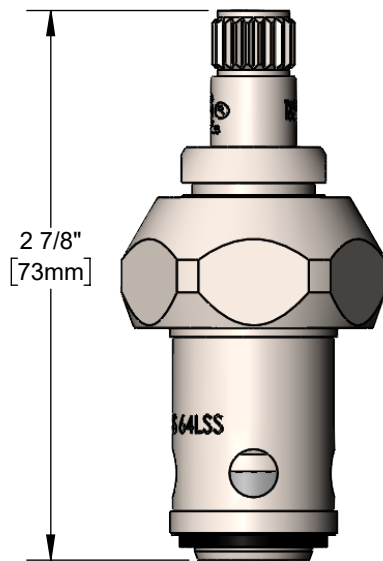
Stainless steel full turn Eterna compression cartridge, RTC with spring check. Fits all T&S stainless steel faucets. Certified to ASME A112.18.1 / CSA B125.1, NSF 61-Section 9 and NSF 372.

Job Name \_\_\_\_\_

Model Specified \_\_\_\_\_ Quantity \_\_\_\_\_

Variations Specified \_\_\_\_\_

Date \_\_\_\_\_



Features & Benefits:

- Stainless steel full turn Eterna compression RTC cartridge with spring check to prevent cross flow of water
- Fits all T&S stainless steel faucets
- Material: Stainless steel

Product Compliance:

- ASME A112.18.1 / CSA B125.1
- NSF 61 - Section 9
- NSF 372 (Low Lead Content)



Warranty: One Year (Limited)

Performance Data:

- Pressure: 20 - 125 psi [1.38 - 8.62 bar]
- Temperature: 40 °F - 140 °F [4.44 °C - 60 °C]
- Flow Rate: 11.25 GPM [42.59 L/min] @ 60 psi [4.14 bar]

