



**Washdown Stations**  
**MV-1907-11C**

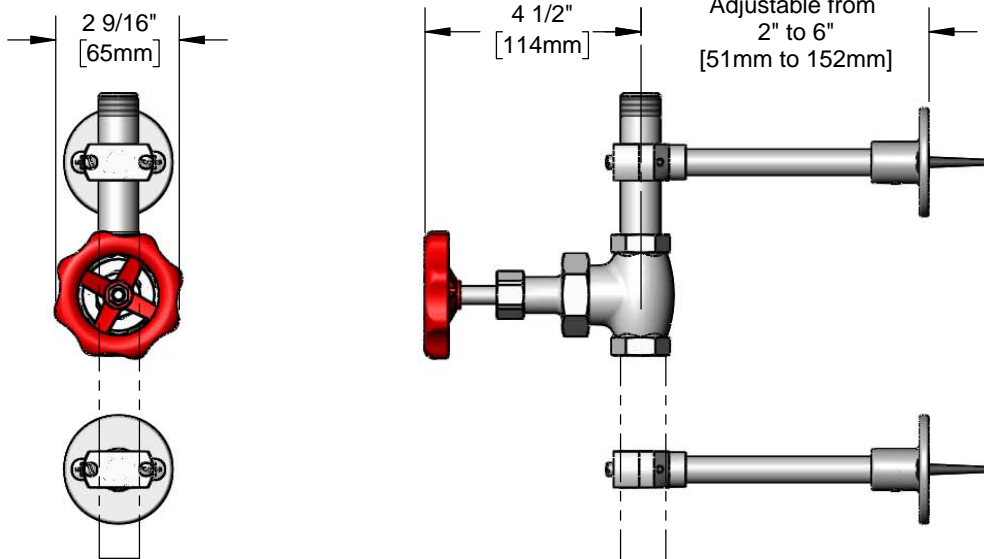
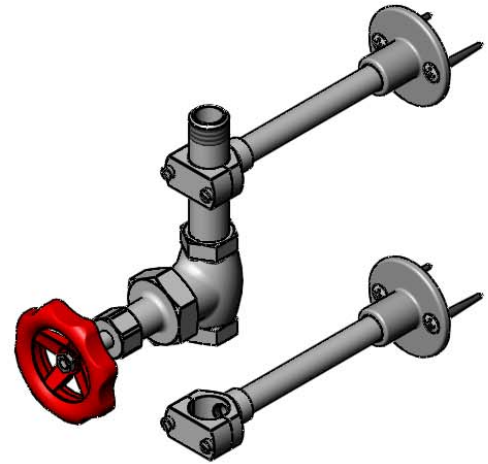
TAG:

*Single Temperature Valve*

**Architect/Engineering Specifications:**

Chrome plated 1/2" globe valve with 3" x 1/2" NPT nipple and (2) 6" wall brackets.

Job Name \_\_\_\_\_  
 Model Specified \_\_\_\_\_ Quantity \_\_\_\_\_  
 Variations Specified \_\_\_\_\_  
 Date \_\_\_\_\_



**Features & Benefits:**

- Chrome plated 1/2" globe valve w/ color coded handle
- 3" x 1/2" NPT nipple
- (2) 6" adjustable wall brackets
- Material: Chrome plated brass

**Product Compliance:**

- NSF 61 Exempt (Non-Potable)

**Warranty:** One Year (Limited)

**Performance Data:**

- Pressure: 20 - 125 psi
- Temperature: 40 °F - 200 °F
- Flow Rate: TBD GPM @ 60 psi



**T&S BRASS AND BRONZE WORKS, INC.**



• 2 Saddleback Cove • Travelers Rest, SC 29690  
 Ph 800-476-4103 • Fax 864-834-3518  
 • Simi Valley, CA • Ph 800-423-0150 • www.tsbrass.com

Date: 07/17/17