



Architect/Engineering Specifications:

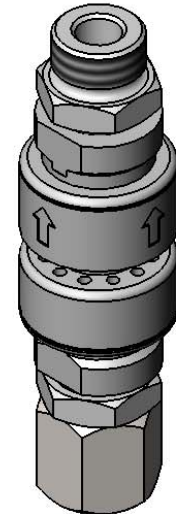
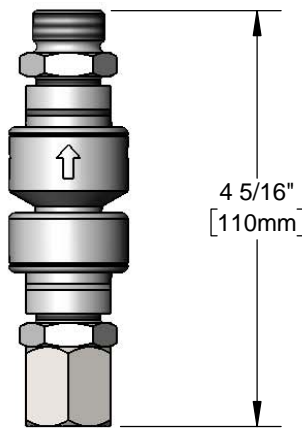
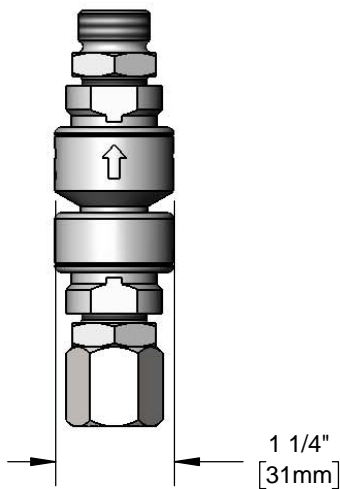
In-line continuous pressure dual check vacuum breaker with polished chrome plated brass body, coupling nut with 3/4-14 UN female inlet and adapter with 3/4-14 UN male outlet. Certified to ASME A112.18.1/CSA B125.1, NSF 61-Section 9, NSF 372 and CSA B64.8.

Job Name _____

Model Specified _____ Quantity _____

Variations Specified _____

Date _____



Features & Benefits:

- In-line 3/8" continuous pressure vacuum breaker w/ polished chrome plated brass body
- Coupling nut w/ 3/4-14 UN female inlet
- Adapter with 3/4-14 UN male outlet
- Design prevents back siphonage and back-flow
- Material: Polished chrome plated brass body and chrome plated fittings

Product Compliance:

- ASME A112.18.1 / CSA B125.1
- NSF 61 - Section 9
- NSF 372 (Low Lead Content)
- CSA B64.8 (VB)

Warranty: One Year (Limited)

Performance Data:

- Pressure: 20 - 125 psi
- Temperature: 40 °F - 140 °F
- Flow Rate: 7.27 GPM @ 60 psi

