

This Space for Architect/Engineer Approval

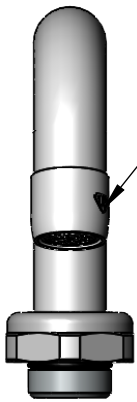
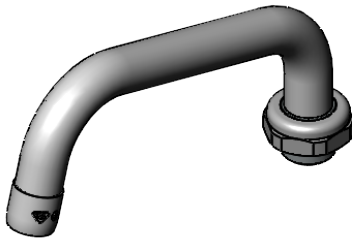
Job Name _____ Date _____

Model Specified _____ Quantity _____

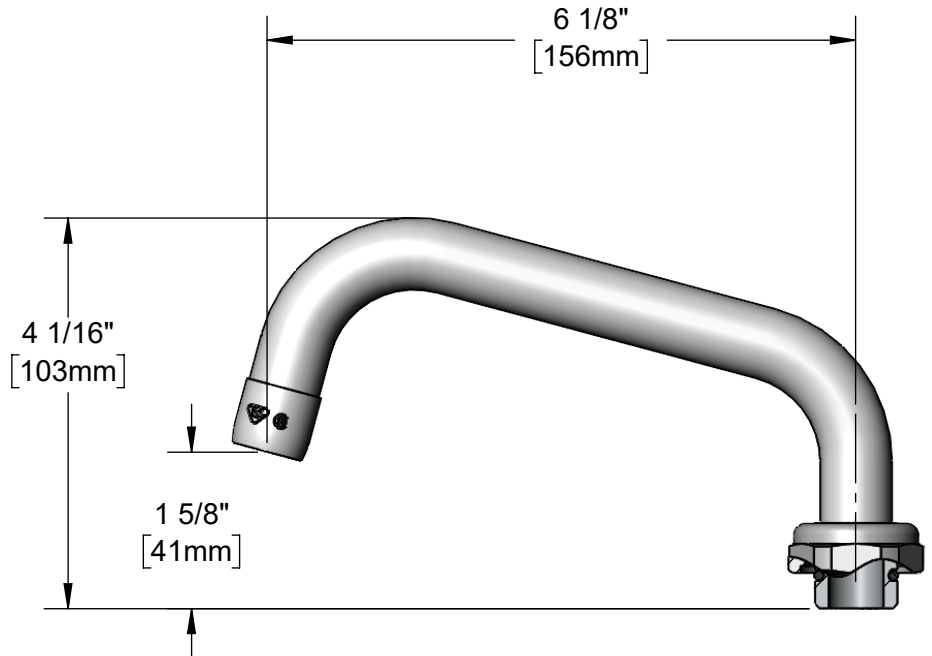
Customer/Wholesaler _____

Contractor _____

Architect/Engineer _____



Laminar Flow Outlet Device



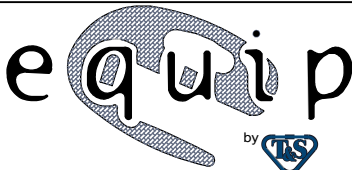
Note:
Conversion to Rigid Requires 014200-45 Lock Washer
(Available Separately)


Model Number
5SP-06

Product Compliance:
ASME A112.18.1 / CSA B125.1
NSF 61 - Section 9
NSF 372 (Low Lead Content)

Product Specifications:
6" Swing Nozzle w/ Laminar Flow Outlet Device

equip
Foodservice
Accessories



by 

2 Saddleback Cove, P.O. Box 1088
Travelers Rest, South Carolina 29690
Phone: 800.891.4808 Fax: 800.868.0084
equip.tsbrass.com