

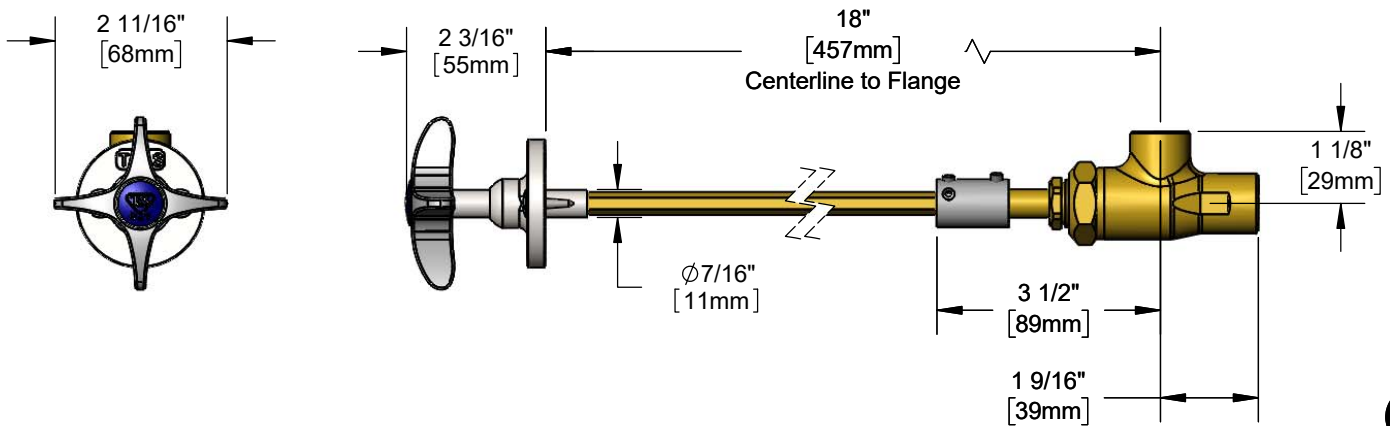


*Remote Control Angle Valve Unit*

**Architect/Engineering Specifications:**

Remote control angle valve with brass body, 18" centerline to flange, 4-arm handle, press-in color coded indexes, guide flange, universal joint and 3/8" NPT male inlet and outlet. Certified to ANSI Z21.15a / CSA 9.1a.

Job Name \_\_\_\_\_  
 Model Specified \_\_\_\_\_ Quantity \_\_\_\_\_  
 Variations Specified \_\_\_\_\_  
 Date \_\_\_\_\_



**Features & Benefits:**

- Remote control angle valve with brass body
- 18" centerline to bushing
- Stainless steel floating cone and removable seat
- 4-arm handle w/ press-in color coded indexes (gas, air and vacuum included)
- $\phi 2"$  guide flange w/ mounting hardware
- 3/8" NPT male inlet and outlet
- Material: Brass body and polished chrome plated metal handle

**Product Compliance:**

- ANSI Z21.15a / CSA 9.1a (Gas Valves)

**Warranty:** One Year (Limited)

**Performance Data:**

- Pressure:
  - Gas - 0.5 psi max
  - Air - 125 psi max
  - Vacuum - 30 inches of Mercury max
- Temperature: 32 °F - 125 °F

