



T&S BRASS AND BRONZE WORKS, INC.
 2 Saddleback Cove / P.O. Box 1088
 Travelers Rest, SC 29690

Model No.
S-1205

Item No.

Travelers Rest, SC: 800-476-4103 • Simi Valley, CA: 800-423-0150 • Fax: 864-834-3518 • www.tsbrass.com

EVERSTEEL™



ADA Compliant

This Space for Architect/Engineer Approval

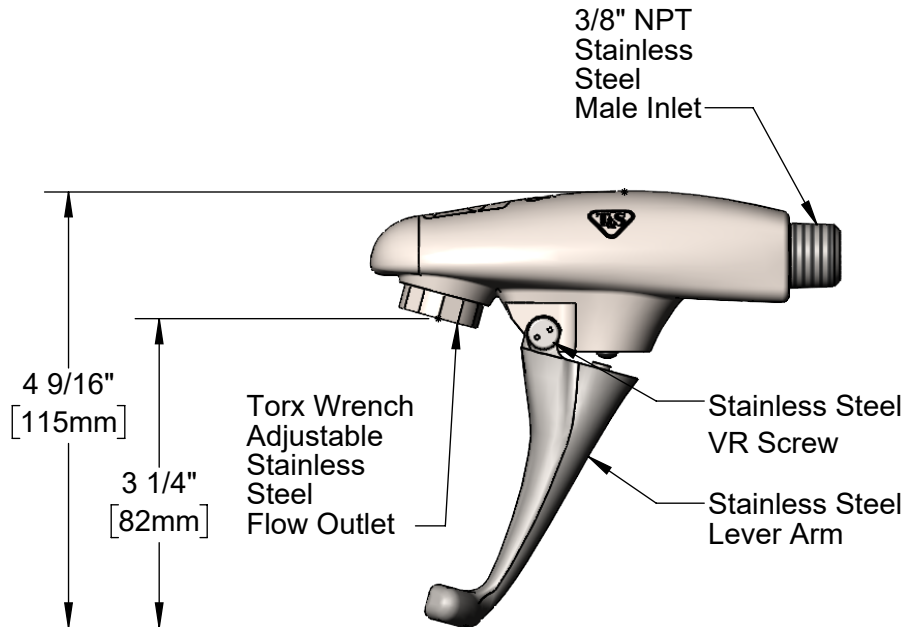
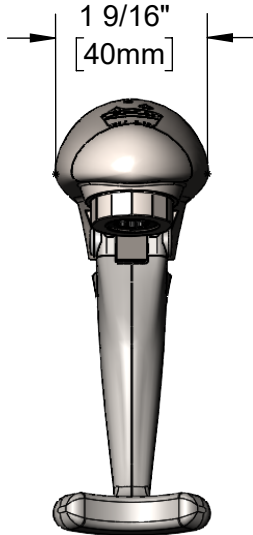
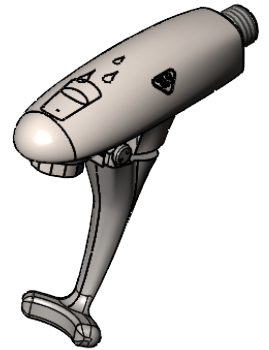
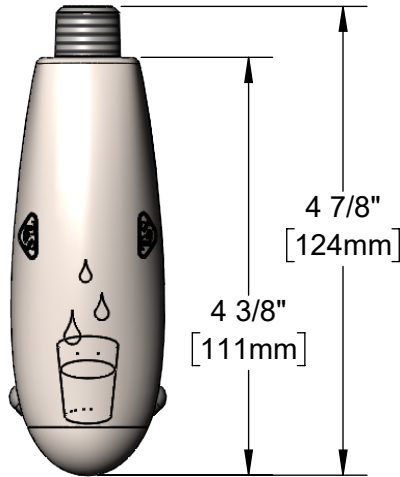
Job Name _____ Date _____

Model Specified _____ Quantity _____

Customer/Wholesaler _____

Contractor _____

Architect/Engineer _____



014734-45
 VR Bit
 Included

Rough-In Requirement:
 ϕ 7/8" [22mm] Mounting Hole

Product Specifications:

Wall Mount Stainless Steel Glass Filler, Push Back Design, Stainless Steel Self-Closing Arm w/ VR Screw & 3/8" NPT Stainless Steel Male Inlet, Less Wall Flange

Product Compliance:

ASME A112.18.1 / CSA B125.1
 NSF 61 - Section 9
 NSF 372 (Low Lead Content)
 ANSI A117.1 (ADA)



T&S BRASS AND BRONZE WORKS, INC.

2 Saddleback Cove / P.O. Box 1088
Travelers Rest, SC 29690

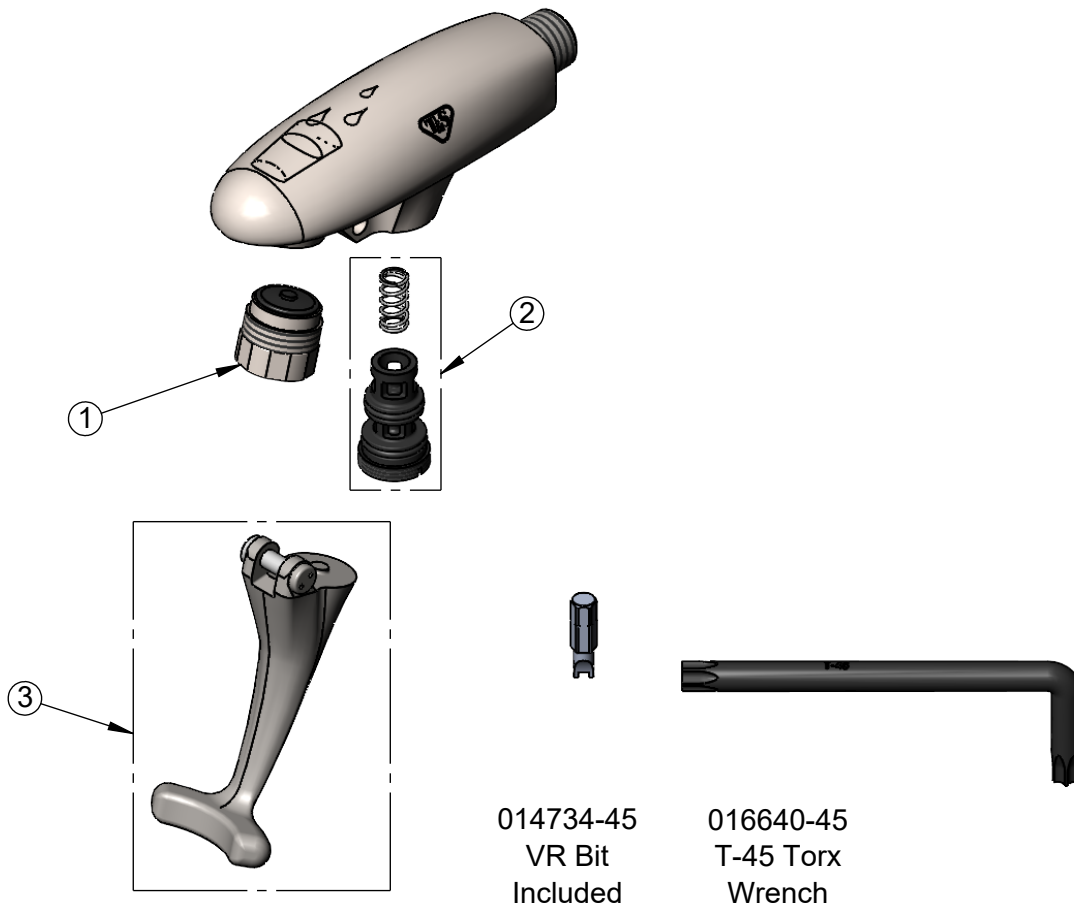
Model No.

S-1205

Item No.

Travelers Rest, SC: 800-476-4103 • Simi Valley, CA: 800-423-0150 • Fax: 864-834-3518 • www.tsbrass.com

| ITEM NO. | SALES NO. | DESCRIPTION |
|----------|------------|-------------------------------------|
| 1 | S015588-30 | Adjustable SS Outlet w/ Torx Wrench |
| 2 | 015589-40 | Valve Repair Kit |
| 3 | S015550-30 | SS Lever Arm Repair Kit w/ VR Screw |



Product Specifications:

Wall Mount Stainless Steel Glass Filler, Push Back Design, Stainless Steel Self-Closing Arm w/ VR Screw & 3/8" NPT Stainless Steel Male Inlet, Less Wall Flange

Product Compliance:

ASME A112.18.1 / CSA B125.1
NSF 61 - Section 9
NSF 372 (Low Lead Content)
ANSI A117.1 (ADA)