

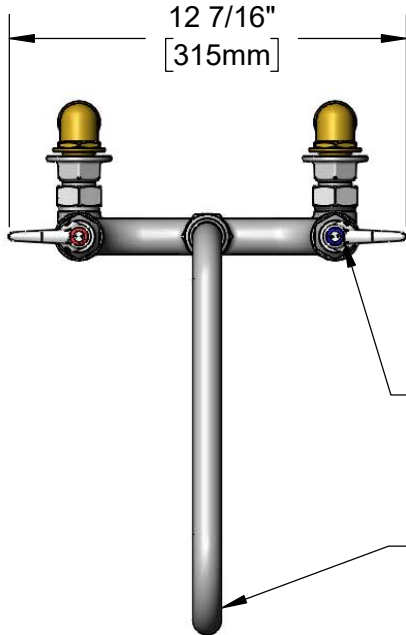


T&S BRASS AND BRONZE WORKS, INC.
 2 Saddleback Cove / P.O. Box 1088
 Travelers Rest, SC 29690

Model No.
B-0290-PRISON

Item No.

Travelers Rest, SC: 800-476-4103 • Simi Valley, CA: 800-423-0150 • Fax: 864-834-3518 • www.tsbrass.com



ADA Compliant

This Space for Architect/Engineer Approval

Job Name _____ Date _____

Model Specified _____ Quantity _____

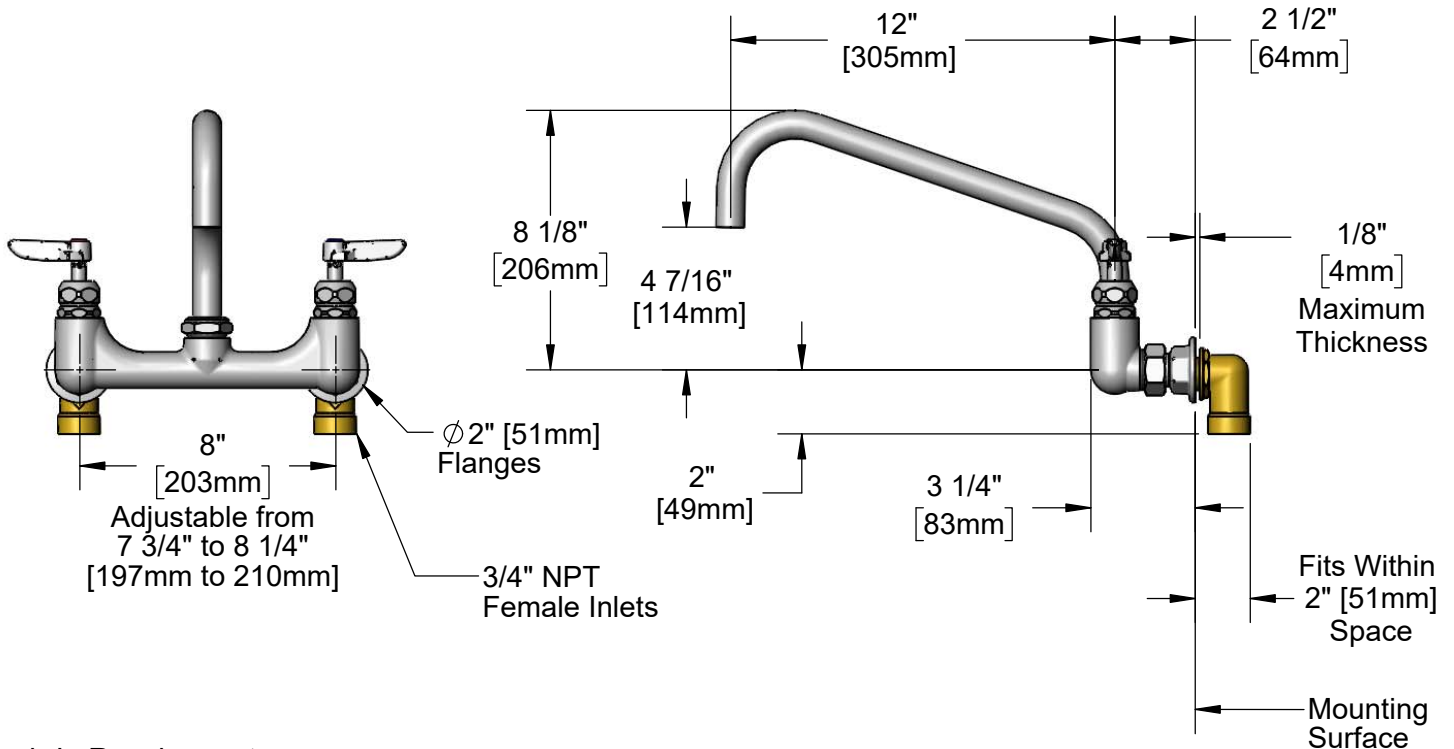
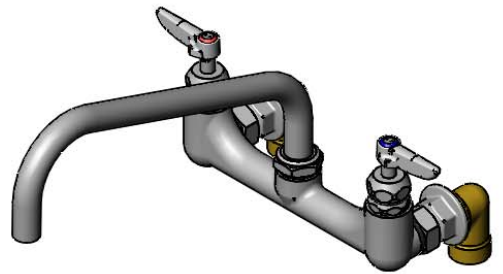
Customer/Wholesaler _____

Contractor _____

Architect/Engineer _____

Solid Brass Chrome Plated
 Lever Handles w/ Color
 Coded Indexes & Vandal
 Resistant Screws

114X
 Big-Flo 12" Swing Nozzle
 w/ Plain End Outlet



Rough-In Requirement:
 (2) $\phi 1 \frac{1}{4}'' [32mm]$ Mounting Holes

Product Specifications:
 Kettle & Pot Sink Mixing Faucet w/ Big-Flo 12" Swing Nozzle, Solid Brass
 Chrome Plated Lever Handles w/ VR Screws, Color Coded Indexes & Street
 Elbows w/ 3/4" NPT Female Inlets

Product Compliance:
 ASME A112.18.1 / CSA B125.1
 NSF 61 - Section 9
 NSF 372 (Low Lead Content)
 ANSI A117.1 (ADA)



T&S BRASS AND BRONZE WORKS, INC.

2 Saddleback Cove / P.O. Box 1088
Travelers Rest, SC 29690

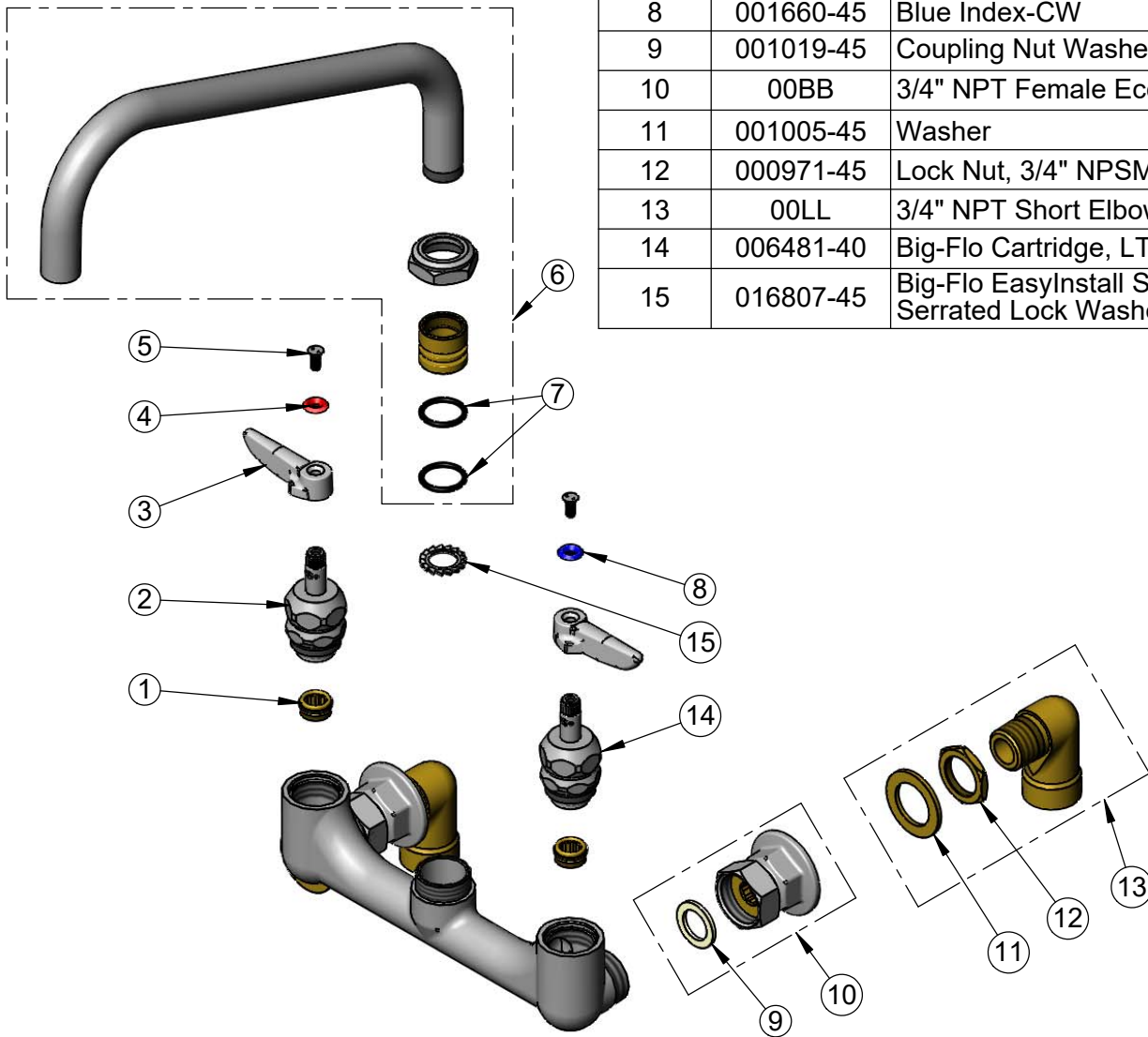
Model No.

B-0290-PRISON

Item No.

Travelers Rest, SC: 800-476-4103 • Simi Valley, CA: 800-423-0150 • Fax: 864-834-3518 • www.tsbrass.com

ITEM NO.	SALES NO.	DESCRIPTION
1	000764-20	Seat, Big-Flo
2	006482-40NS	Big-Flo Cartridge, RTC
3	010027-40	Solid Brass Chrome Plated Lever Handle
4	001661-45	Red Index-HW
5	VRS-1	VR Lever Handle Screw (2) w/ Spanner Bit
6	114X	12" Big-Flo Swing Nozzle
7	001068-45	O-ring
8	001660-45	Blue Index-CW
9	001019-45	Coupling Nut Washer
10	00BB	3/4" NPT Female Eccentric Flange
11	001005-45	Washer
12	000971-45	Lock Nut, 3/4" NPSM
13	00LL	3/4" NPT Short Elbow Inlet
14	006481-40	Big-Flo Cartridge, LTC
15	016807-45	Big-Flo EasyInstall Stainless Steel Serrated Lock Washer



Product Specifications:

Kettle & Pot Sink Mixing Faucet w/ Big-Flo 12" Swing Nozzle, Solid Brass Chrome Plated Lever Handles w/ VR Screws, Color Coded Indexes & Street Elbows w/ 3/4" NPT Female Inlets

Product Compliance:

ASME A112.18.1 / CSA B125.1
NSF 61 - Section 9
NSF 372 (Low Lead Content)
ANSI A117.1 (ADA)