



T&S BRASS AND BRONZE WORKS, INC.
 2 Saddleback Cove / P.O. Box 1088
 Travelers Rest, SC 29690

Model No.
EW-9201EF

Item No.

Travelers Rest, SC: 800-476-4103 • Simi Valley, CA: 800-423-0150 • Fax: 864-834-3518 • www.tsbrass.com

This Space for Architect/Engineer Approval

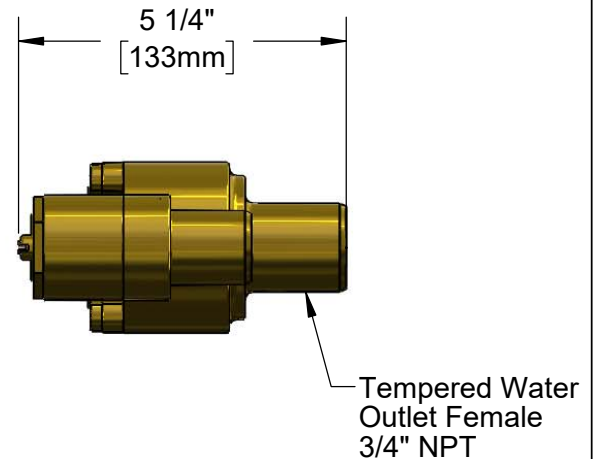
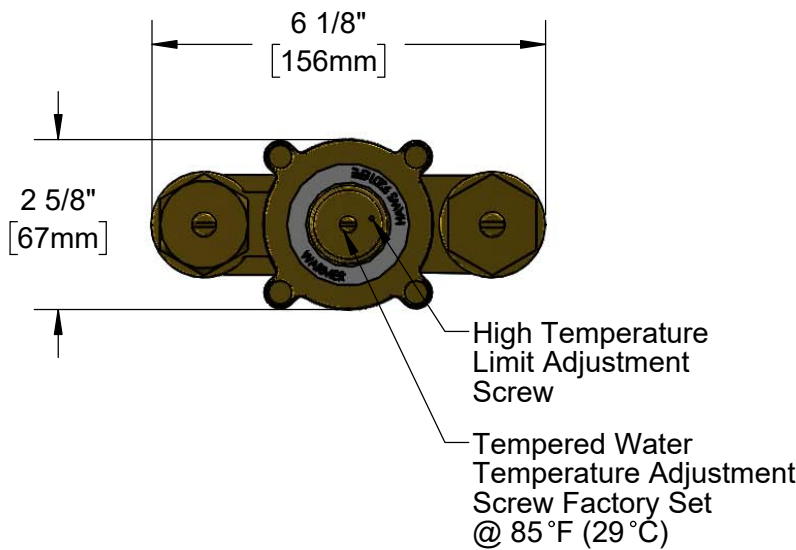
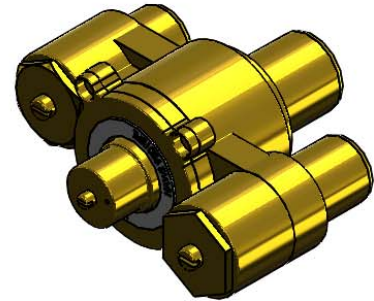
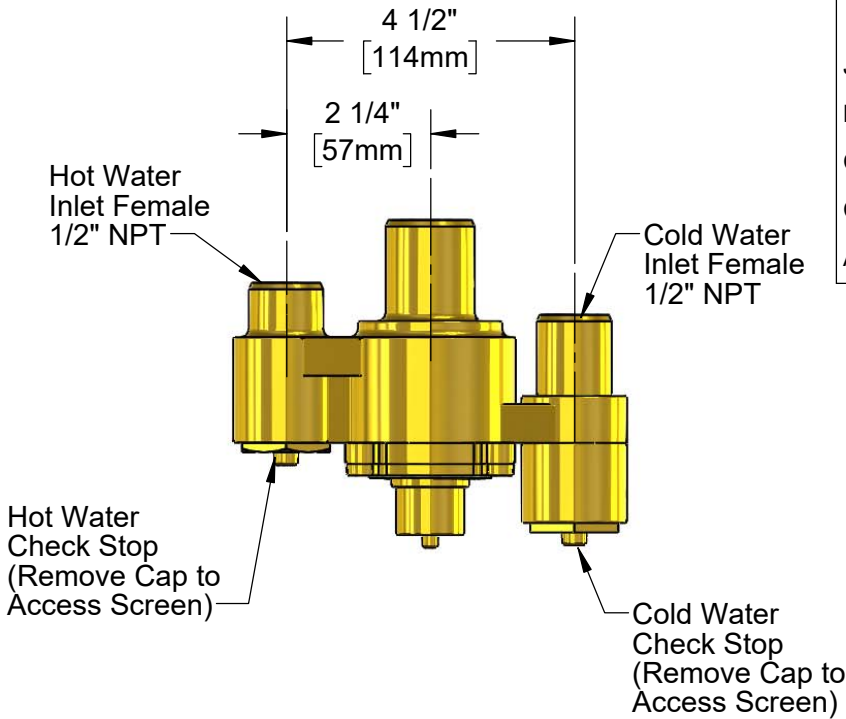
Job Name _____ Date _____

Model Specified _____ Quantity _____

Customer/Wholesaler _____

Contractor _____

Architect/Engineer _____



Note:
 1. Thermostatic Mixing Valve to Supply Tempered Water From 1 to 12 GPM.

Product Specifications:

Brass Thermostatic Mixing Valve With Fail-Safe Back Up, Check Valves, 1/2" NPT Female Inlets and 3/4" Female Outlet

Product Compliance:

NSF 61 Exempt (Non-Potable)