

This Space for Architect/Engineer Approval

Job Name _____ Date _____

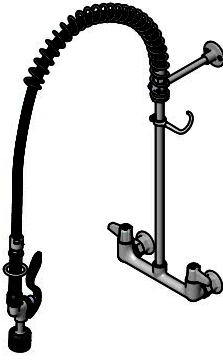
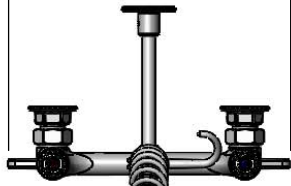
Model Specified _____ Quantity _____

Customer/Wholesaler _____

Contractor _____

Architect/Engineer _____

11 3/4"
[299mm]



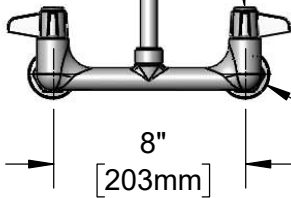
44" Flexible
Stainless Steel
Hose w/ Spring
& Spray Valve

Items not Shown
for Clarity

Finger Hook

3/8" NPT x 18" Riser

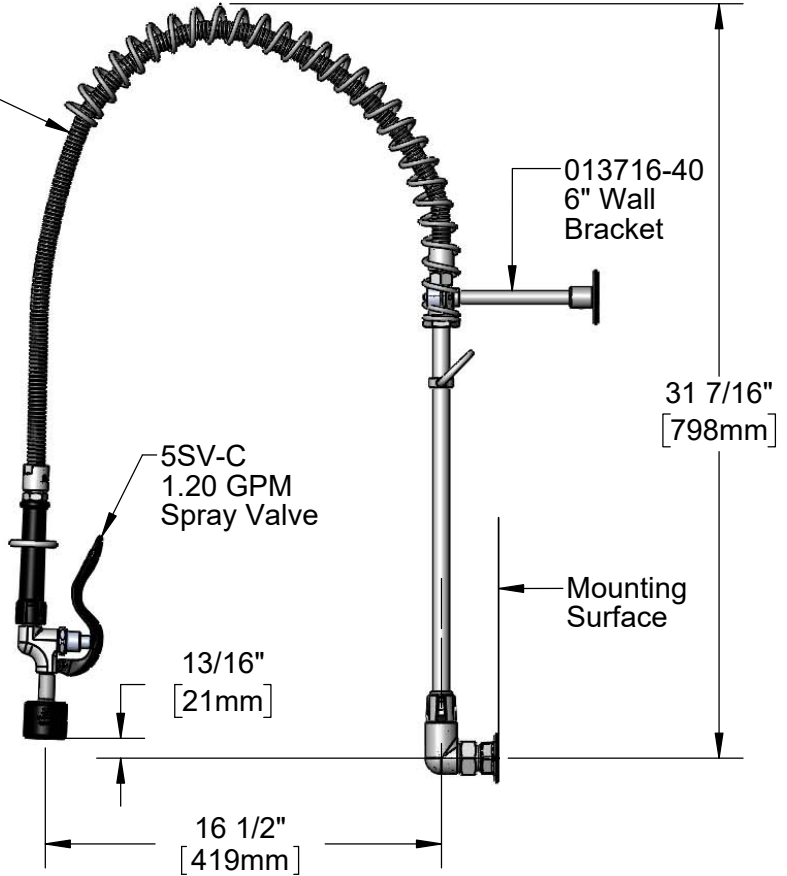
Ceramic Cartridges
& equip Lever Handles
w/ Color Coded Screws



8"
[203mm]

Adjustable From
7 3/4" to 8 1/4"
[197mm to 210mm]

Ø 2" [51mm]
Flanges w/
Inline Check
Valves & 1/2" NPT
Female Inlets



013716-40
6" Wall
Bracket

31 7/16"
[798mm]

5SV-C
1.20 GPM
Spray Valve

Mounting
Surface

13/16"
[21mm]

16 1/2"
[419mm]



B-0230-K
1/2" NPT
Short EI Installation Kit
(Sold Separately)

Model Number

5PR-8W00-C

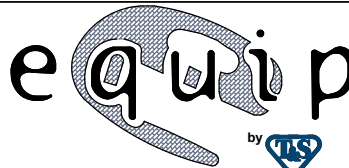
Product Specifications:

Pre-Rinse Unit: 8" Wall Mount Mixing Faucet, Quarter-Turn Ceramic Cartridges, 6" Wall Bracket, 1.20 GPM Spray Valve, In-Line Check Valves, 44" Flex Hose & 1/2" NPT Female Inlets

Product Compliance:

ASME A112.18.1 / CSA B125.1
NSF 61 - Section 9
NSF 372 (Low Lead Content)
2019 DOE PRSV - Class II

equip
Foodservice
Accessories



2 Saddleback Cove, P.O. Box 1088
Travelers Rest, South Carolina 29690
Phone: 800.891.4808 Fax: 800.868.0084
equip.tsbrass.com

Drawn: CDS

Checked: JDM

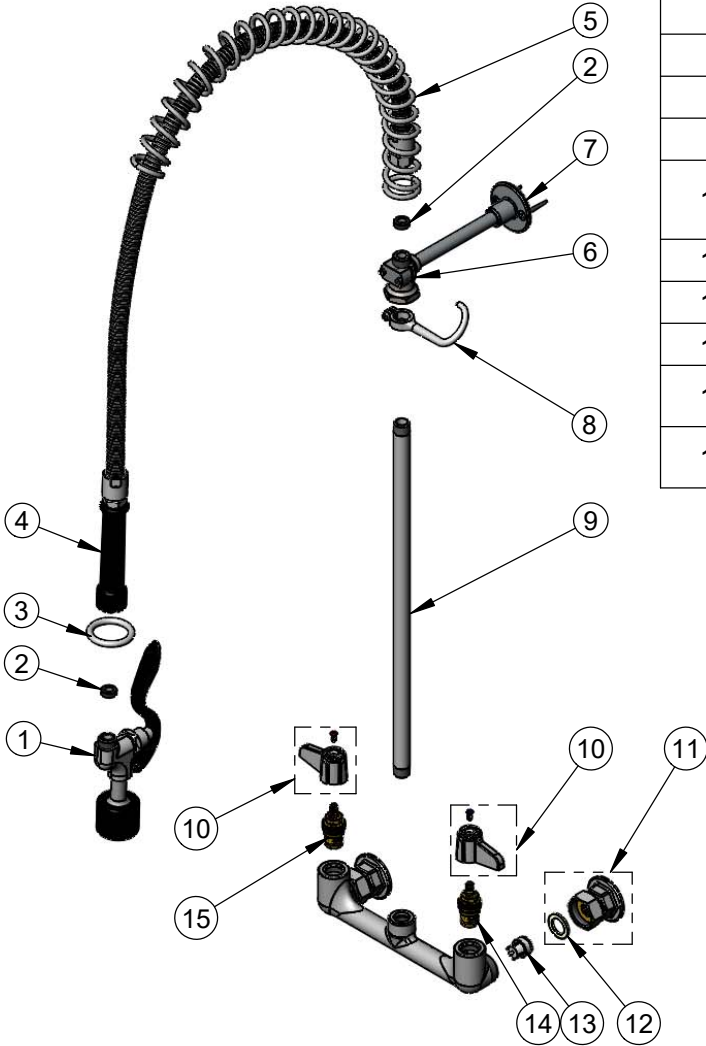
Approved: JHB

Date: 08/25/22

Scale: 1:8

Sheet: 1 of 2

| ITEM NO. | SALES NO. | DESCRIPTION |
|----------|-----------|---|
| 1 | 5SV-C | equip 1.20 GPM Spray Valve |
| 2 | 010476-45 | #27 Washer |
| 3 | 000907-45 | Spray Valve Hold Down Ring |
| 4 | 5HSE44 | 44" Flexible Stainless Steel Hose |
| 5 | 014068-45 | Overhead Spring |
| 6 | 000821-40 | Spring Body |
| 7 | 013716-40 | 6" Wall Bracket |
| 8 | 004R | Finger Hook |
| 9 | 000369-40 | 3/8" NPT x 18" Riser |
| 10 | 5-HDL-L | equip Lever Handle w/ Color Coded Screws |
| 11 | 00AA | 1/2" NPT Female Inlet Flange |
| 12 | 001019-45 | Coupling Nut Washer |
| 13 | 013840-45 | 20mm Check Valve (2) |
| 14 | 013788-45 | equip Quarter-Turn Ceramic Cartridge, LTC |
| 15 | 013787-45 | equip Quarter-Turn Ceramic Cartridge, RTC |



Model Number

5PR-8W00-C

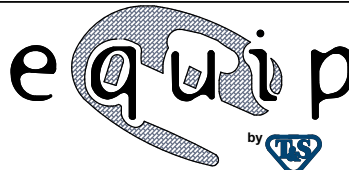
Product Specifications:

Pre-Rinse Unit: 8" Wall Mount Mixing Faucet, Quarter-Turn Ceramic Cartridges, 6" Wall Bracket, 1.20 GPM Spray Valve, In-Line Check Valves, 44" Flex Hose & 1/2" NPT Female Inlets

Product Compliance:

ASME A112.18.1 / CSA B125.1
NSF 61 - Section 9
NSF 372 (Low Lead Content)
2019 DOE PRSV - Class II

equip
Foodservice
Accessories



2 Saddleback Cove, P.O. Box 1088
Travelers Rest, South Carolina 29690
Phone: 800.891.4808 Fax: 800.868.0084
equip.tsbrass.com