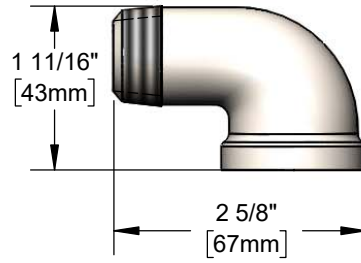
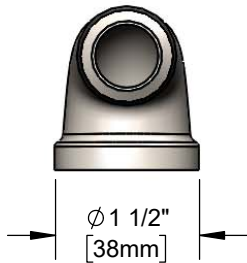
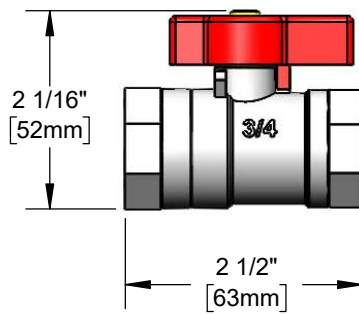
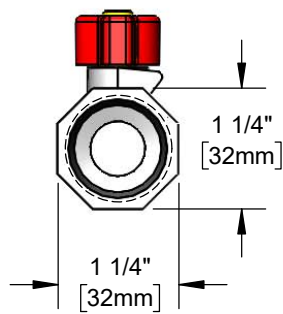
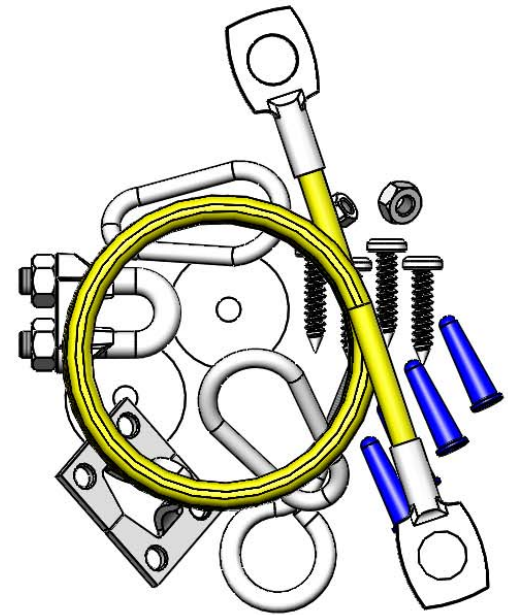




**Architect/Engineering Specifications:**

Restraining cable kit with mounting hardware, 3/4" NPT 90° elbow and 3/4" NPT ball valve. Certified to ANSI Z21.15a/CSA 9.1a.

Job Name \_\_\_\_\_  
 Model Specified \_\_\_\_\_ Quantity \_\_\_\_\_  
 Variations Specified \_\_\_\_\_  
 Date \_\_\_\_\_



**Features & Benefits:**

- Restraining cable kit with mounting hardware
- 3/4" NPT 90° elbow
- 3/4" NPT ball valve
- Optimum torsional relief improves safety, increases connector life
- Material: Chrome plated brass valve and elbow and steel restraining cable

**Product Compliance:**

- ANSI Z21.15a / CSA 9.1a (Gas Valves)
- NFPA 54

**Warranty:** Five Year (Limited)

**Performance Data:**

- Gas Pressure: 1/2 psi max
- Temperature: 350 °F max
- Capacity: 140,000 BTU / hr min

