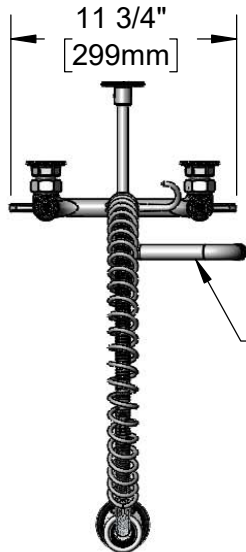


This Space for Architect/Engineer Approval

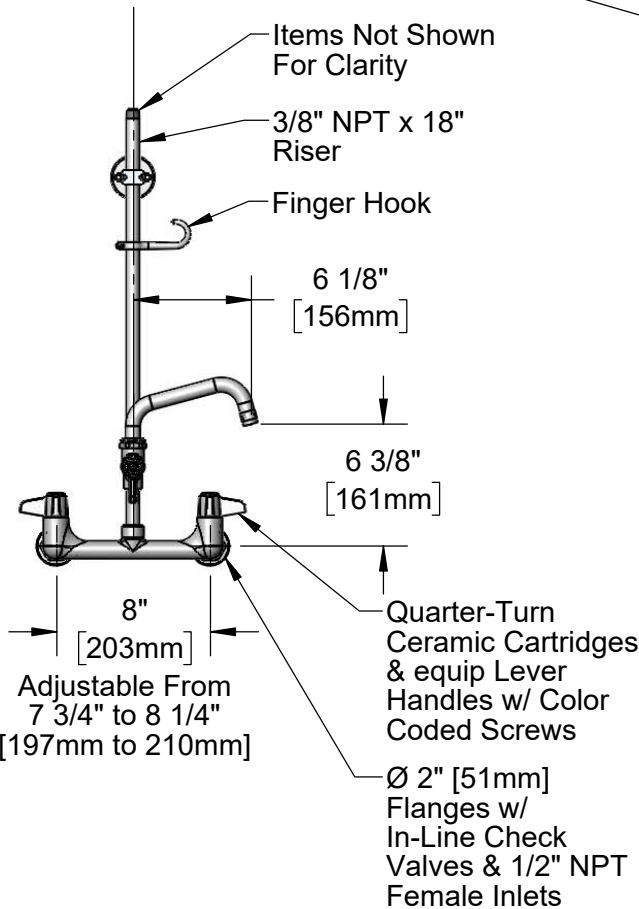
Job Name _____ Date _____
 Model Specified _____ Quantity _____
 Customer/Wholesaler _____
 Contractor _____
 Architect/Engineer _____



5SP-06
6" Swing Nozzle
w/ Laminar
Flow Device



equip 44"
Flexible
Stainless Steel
Hose w/ Spring
& Spray Valve



Items Not Shown
For Clarity

3/8" NPT x 18"
Riser

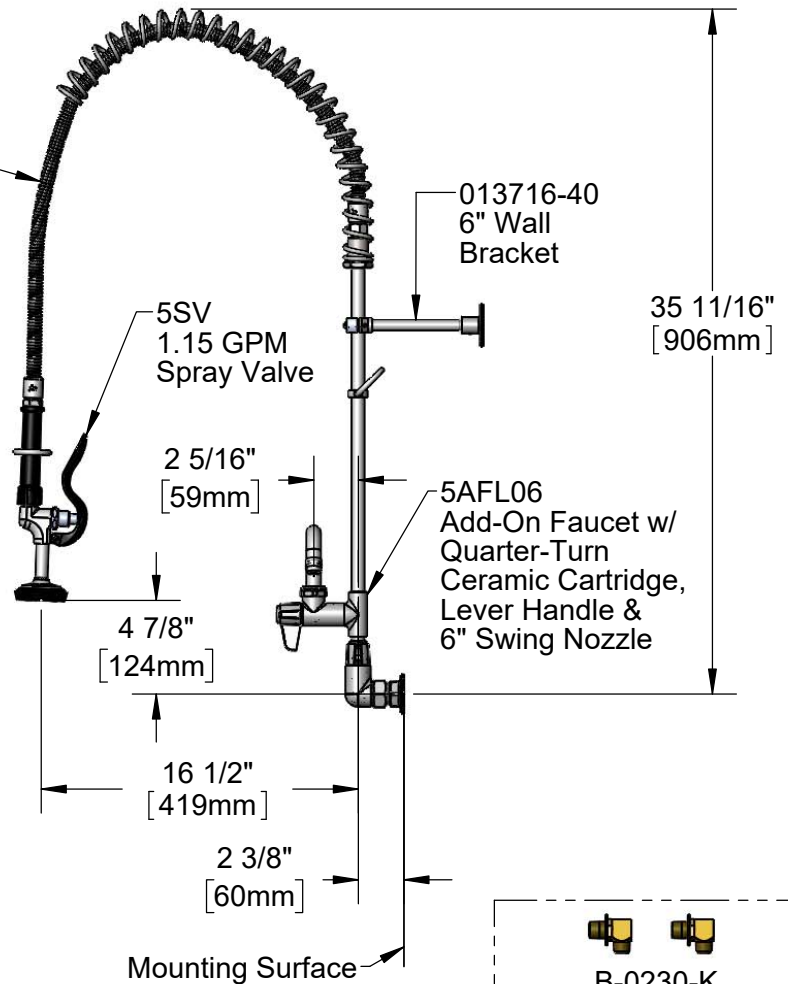
Finger Hook

6 1/8"
[156mm]

6 3/8"
[161mm]

Quarter-Turn
Ceramic Cartridges
& equip Lever
Handles w/ Color
Coded Screws

Ø 2" [51mm]
Flanges w/
In-Line Check
Valves & 1/2" NPT
Female Inlets



013716-40
6" Wall
Bracket

5SV
1.15 GPM
Spray Valve

2 5/16"
[59mm]

5AFL06
Add-On Faucet w/
Quarter-Turn
Ceramic Cartridge,
Lever Handle &
6" Swing Nozzle

35 11/16"
[906mm]

4 7/8"
[124mm]

16 1/2"
[419mm]

2 3/8"
[60mm]

Mounting Surface



B-0230-K
1/2" NPT
Short EI Installation Kit
(Sold Separately)

Model Number

5PR-8W06

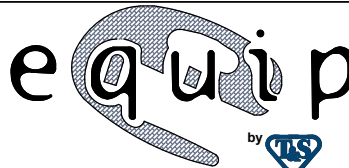
Product Specifications:

Pre-Rinse Unit: 8" Wall Mount Mixing Faucet w/ Quarter-Turn Ceramic Cartridges, Add-On Faucet w/ 6" Swing Nozzle, 1.15 GPM Spray Valve, 6" Wall Bracket, In-Line Check Valves & 1/2" NPT Female Inlets

Product Compliance:

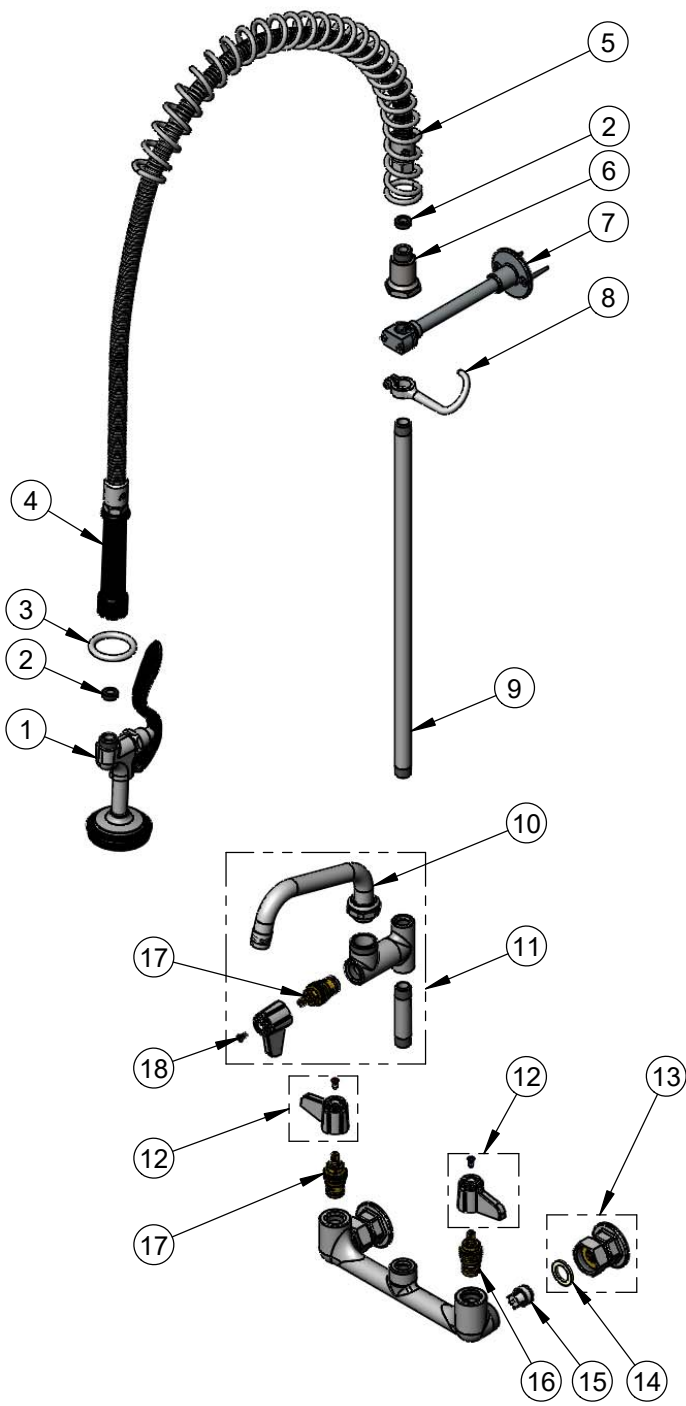
ASME A112.18.1 / CSA B125.1
NSF 61 - Section 9
NSF 372 (Low Lead Content)
2019 DOE PRSV - Class II

equip
Foodservice
Accessories



2 Saddleback Cove, P.O. Box 1088
Travelers Rest, South Carolina 29690
Phone: 800.891.4808 Fax: 800.868.0084
equip.tsbrass.com

ITEM NO.	SALES NO.	DESCRIPTION
1	5SV	equip 1.15 GPM Spray Valve
2	010476-45	#27 Washer
3	000907-45	Spray Valve Hold Down Ring
4	5HSE44	44" Flexible Stainless Steel Hose
5	014068-45	Overhead Spring
6	000821-40	Spring Body
7	013716-40	6" Wall Bracket
8	004R	Finger Hook
9	000369-40	3/8" NPT x 18" Riser
10	5SP-06	equip 6" Swing Nozzle
11	5AFL06	Add-On Faucet w/ 6" Swing Nozzle
12	5-HDL-L	equip Lever Handle w/ Color Coded Screws
13	00AA	1/2" NPT Female Eccentric Flange
14	001019-45	Coupling Nut Washer
15	013840-45	20mm Check Valve (2)
16	013788-45	equip Quarter-Turn Ceramic Cartridge, LTC
17	013787-45	equip Quarter-Turn Ceramic Cartridge, RTC
18	013849-45	Handle Screw (10)



Model Number
5PR-8W06

Product Compliance:
ASME A112.18.1 / CSA B125.1
NSF 61 - Section 9
NSF 372 (Low Lead Content)
2019 DOE PRSV - Class II

Product Specifications:
Pre-Rinse Unit: 8" Wall Mount Mixing Faucet w/ Quarter-Turn Ceramic Cartridges, Add-On Faucet w/ 6" Swing Nozzle, 1.15 GPM Spray Valve, 6" Wall Bracket, In-Line Check Valves & 1/2" NPT Female Inlets

equip
Foodservice
Accessories



2 Saddleback Cove, P.O. Box 1088
Travelers Rest, South Carolina 29690
Phone: 800.891.4808 Fax: 800.868.0084
equip.tsbrass.com