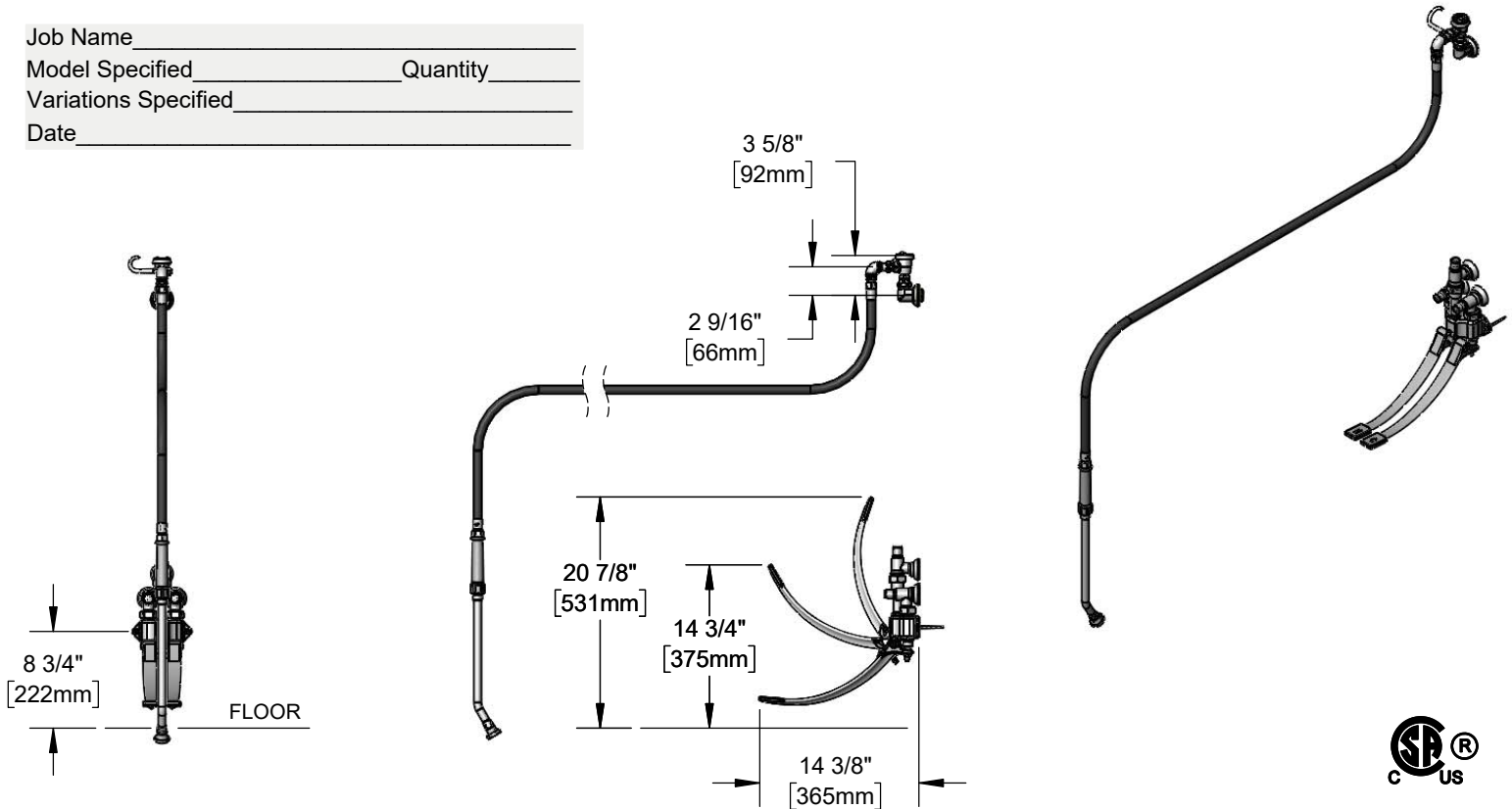




Architect/Engineering Specifications:

Wall mount double pedal valve with angled loose key stops, 3/8" NPT angled volume control, 3/8" atmospheric vacuum breaker with wall hook, 68" PVC hose with extended nozzle with 2.2 GPM rosespray and 1/2" NPT female inlets. Certified to ASME A112.18.1/CSA B125 and ASSE 1001.

Job Name _____
 Model Specified _____ Quantity _____
 Variations Specified _____
 Date _____



Features & Benefits:

- Wall mount double pedal valve with polished chrome plated brass body
- Pedal valve with 1/2" NPT female angled loose key stops
- Volume control valve with 3/8" NPT female outlet on pedal valve
- Vacuum breaker with wall hook, 3/8" female inlet and outlet
- 68" PVC hose with extended spray nozzle w/ 2.2 GPM rosespray
- Material: Polished chrome plated brass body and vacuum breaker

Product Compliance:

- ASME A112.18.1 / CSA B125.1
- ASSE 1001 (VB)

Warranty: One Year (Limited)

Performance Data:

- Pressure: 20 - 125 psi
- Temperature: 40 °F - 140 °F
- Flow Rate: 2.2 GPM @ 60 psi

