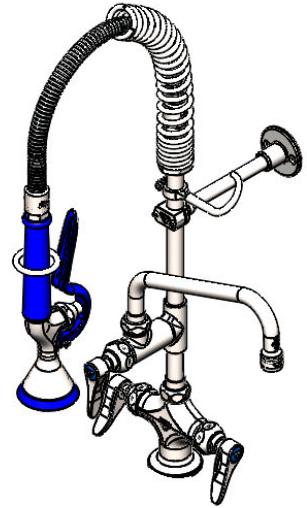
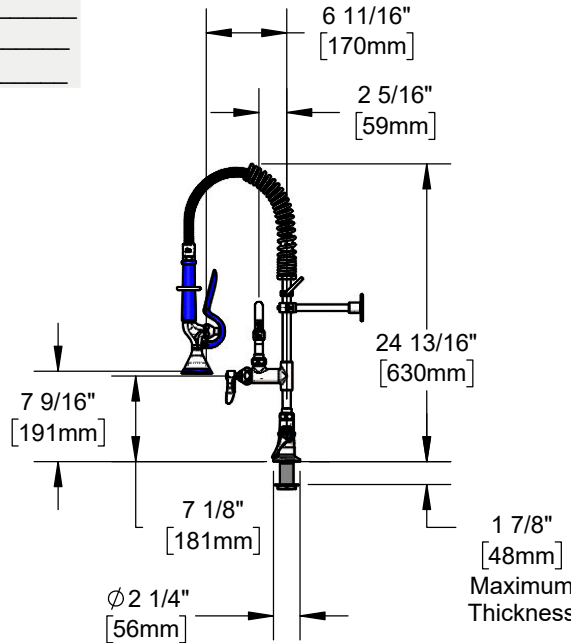
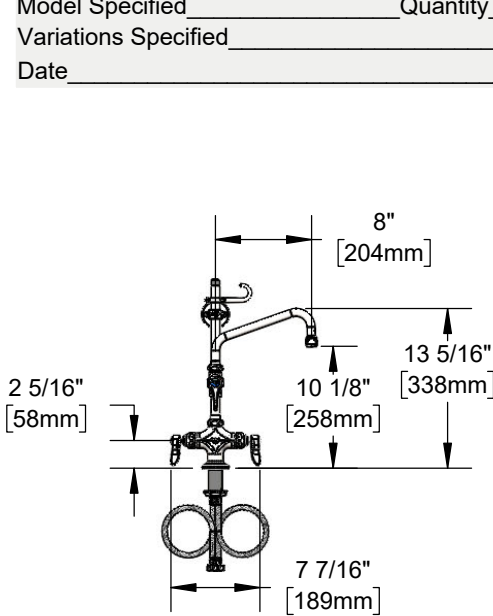




Architect/Engineering Specifications:

Single hole stainless steel deck mount mixing faucet, stainless steel add-on faucet, stainless steel 8" swing nozzle with stream regulator outlet, stainless steel 8" riser, 24" flexible stainless steel hose with heat resistant handle, stainless steel 1.15 GPM spray valve, stainless steel compression cartridges with spring checks, stainless steel lever handles, 18" flexible stainless steel supply hoses with G1/2" female swivel, stainless steel 6" adjustable wall bracket, stainless steel spray valve holder, and stainless steel overhead spring. Certified to ASME A112.18.1/CSA B125.1, NSF 61-Section 9 and NSF 372. 2019 DOE PRSV - Class II compliant.

Job Name _____
Model Specified _____ Quantity _____
Variations Specified _____
Date _____



Features & Benefits:

- All stainless steel construction with brushed finish
Single hole deck mount mixing faucet w/ stainless steel body
Stainless steel EasyInstall add-on faucet
Stainless steel 8" swing nozzle w/ stream regulator outlet
Stainless steel 8" rigid riser
24" flexible stainless steel hose w/ heat resistant blue handle and hold down ring
Stainless steel 1.15 GPM spray valve
Stainless steel quarter-turn Eterna compression cartridges w/ spring checks to prevent cross flow of water
Stainless steel lever handles w/ color coded indexes
18" flexible stainless steel supply hoses w/ G1/2" female swivel connections (compatible w/ 1/2" NPSM threads)
Stainless steel 6" adjustable wall bracket
Material: Stainless steel body, tubular spout, add-on faucet body, riser, spray valve, hose, cartridges and handles

Product Compliance:

- ASME A112.18.1 / CSA B125.1
NSF 61 - Section 9
NSF 372 (Low Lead Content)
2019 DOE PRSV - Class II
For Commercial Use Only



Warranty: Lifetime (Limited)

Performance Data:

- Pressure: 20 - 125 psi [1.38 - 8.62 bar]
Temperature: 40 °F - 140 °F [4.44 °C - 60 °C]
Flow Rate:
Spray Valve: 1.15 GPM [4.35 L/min] @ 60 psi [4.14 bar]
Add-On Faucet: 5.57 GPM [21.08 L/min] @ 60 psi [4.14 bar]

Stainless Steel T&S Swing Nozzles

- S059X 6" Swing Nozzle
S060X 8" Swing Nozzle (Standard)
S062X 12" Swing Nozzle

