



**T&S BRASS AND BRONZE WORKS, INC.**  
 2 Saddleback Cove / P.O. Box 1088  
 Travelers Rest, SC 29690

Model No.  
**B-1115-LN**

Item No.

Travelers Rest, SC: 800-476-4103 • Simi Valley, CA: 800-423-0150 • Fax: 864-834-3518 • www.tsbrass.com



**ADA Compliant**

This Space for Architect/Engineer Approval

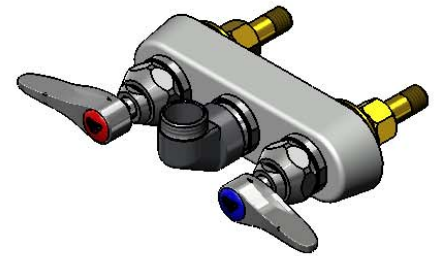
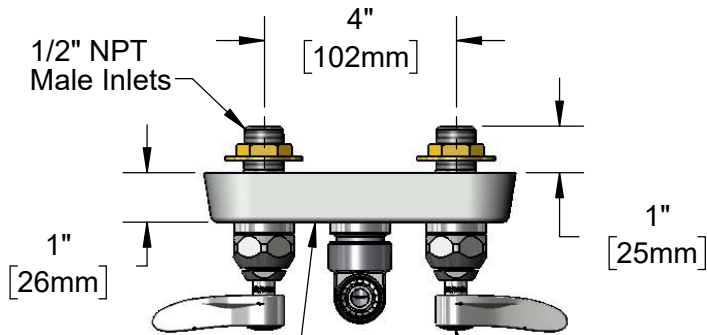
Job Name \_\_\_\_\_ Date \_\_\_\_\_

Model Specified \_\_\_\_\_ Quantity \_\_\_\_\_

Customer/Wholesaler \_\_\_\_\_

Contractor \_\_\_\_\_

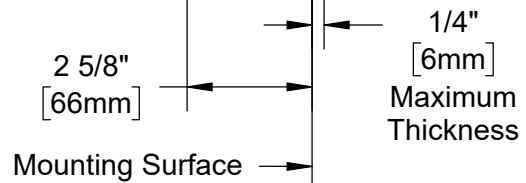
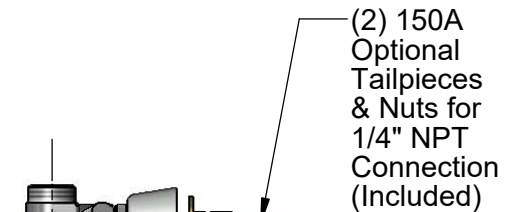
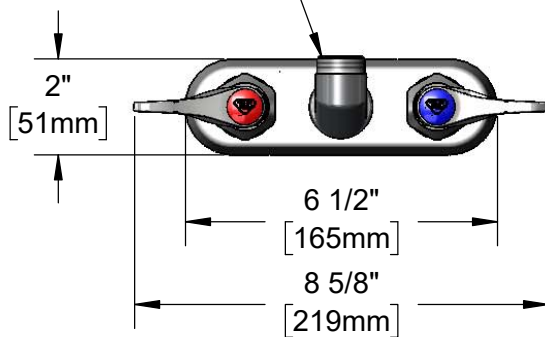
Architect/Engineer \_\_\_\_\_



Polished Chrome Plated Escutcheon

Quarter-Turn Eterna Cartridges w/ Spring Checks & Lever Handles w/ Color Coded Indexes

Swivel Outlet Accepts Standard T&S Swing Nozzles. Converts to Rigid w/ 014200-45 Lock Washer (Included)



**Rough-In Requirement:**  
 (2)  $\varnothing$  1" [25mm] Mounting Holes

**Product Specifications:**  
 4" Wall Mount Workboard Faucet Less Nozzle, Quarter-Turn Eterna Cartridges w/ Spring Checks, Lever Handles & 1/2" NPT Male Inlets

**Product Compliance:**  
 ASME A112.18.1 / CSA B125.1  
 NSF 61 - Section 9  
 NSF 372 (Low Lead Content)  
 ANSI A117.1 (ADA)



# T&S BRASS AND BRONZE WORKS, INC.

2 Saddleback Cove / P.O. Box 1088  
Travelers Rest, SC 29690

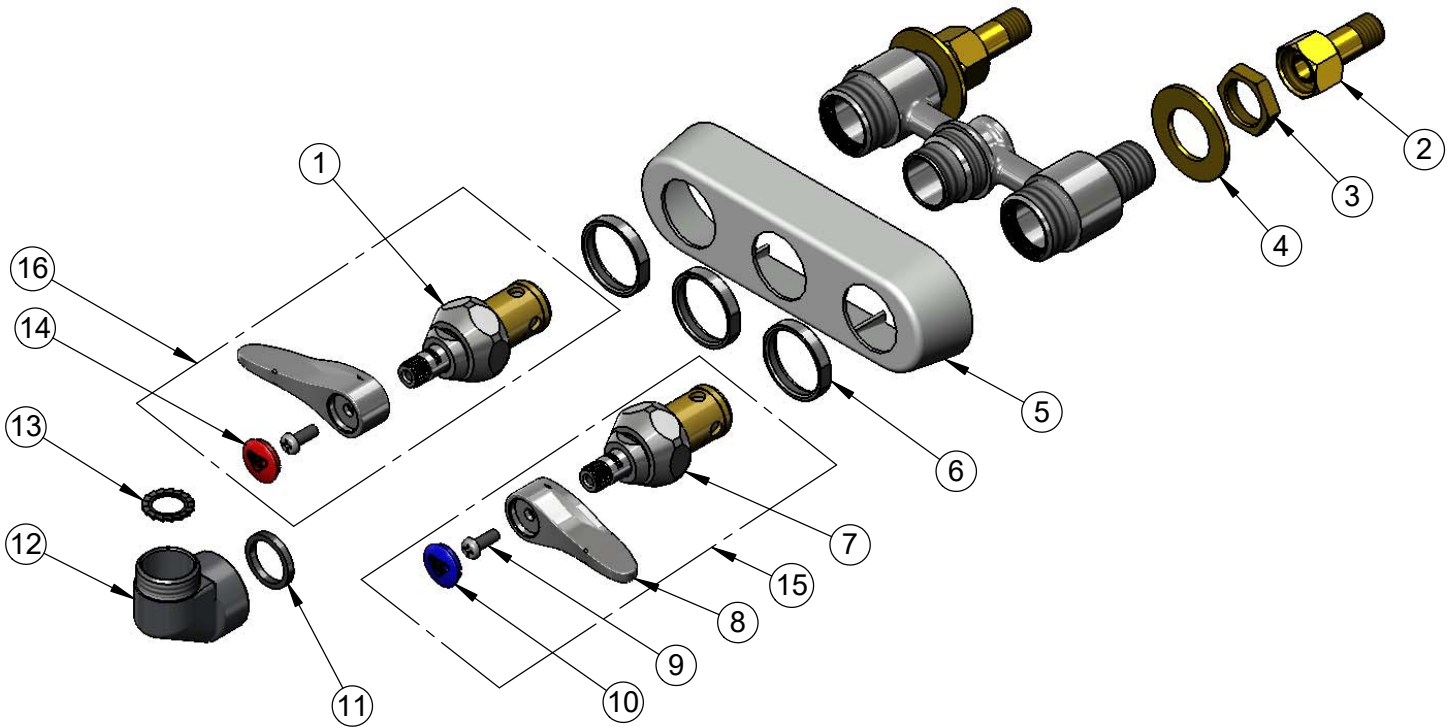
Model No.

**B-1115-LN**

Item No.

Travelers Rest, SC: 800-476-4103 • Simi Valley, CA: 800-423-0150 • Fax: 864-834-3518 • www.tsbrass.com

ITEM NO.	SALES NO.	DESCRIPTION
1	012442-40NS	Quarter-Turn Eterna Cartridge w/ Spring Check, LTC
2	150A	1/4" NPT Tailpiece & Nut
3	002954-45	Shank Lock Nut
4	000999-45	Brass Lock Washer
5	019374-40	B-1110 Eterna Workboard Escutcheon
6	019376-40	Escutcheon Lock Nut
7	012443-40NS	Quarter-Turn Eterna Cartridge w/ Spring Check, RTC
8	001638-45NS	Lever Handle (New Style)
9	000925-45	Lab Handle Screw
10	018506-19NS	Blue Button Index, Press-in
11	001040-45	Washer, 3/4 ID x 15/16 OD x 1/8 thick
12	000082-40	B-1100 Knob
13	014200-45	Star Washer, Anti-Rotation
14	001193-19NS	Red Button Index, Press-in
15	019639-40	Quarter-Turn Eterna Cartridge RTC w/ Spring Check, Handle, Blue Index & Screw
16	019638-40	Quarter-Turn Eterna Cartridge LTC w/ Spring Check, Handle, Red Index & Screw



**Product Specifications:**

4" Wall Mount Workboard Faucet Less Nozzle, Quarter-Turn Eterna Cartridges w/ Spring Checks, Lever Handles & 1/2" NPT Male Inlets

**Product Compliance:**

ASME A112.18.1 / CSA B125.1  
NSF 61 - Section 9  
NSF 372 (Low Lead Content)  
ANSI A117.1 (ADA)