



# T&S BRASS AND BRONZE WORKS, INC.

2 Saddleback Cove / P.O. Box 1088  
Travelers Rest, SC 29690

Model No.

**EC-2360-WFK**

Item No.

Travelers Rest, SC: 800-476-4103 • Simi Valley, CA: 800-423-0150 • Fax: 864-834-3518 • www.tsbrass.com



**ADA Compliant**



This Space for Architect/Engineer Approval

Job Name \_\_\_\_\_ Date \_\_\_\_\_

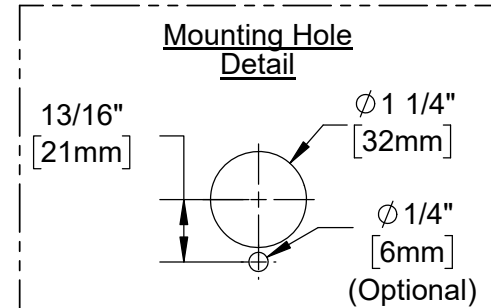
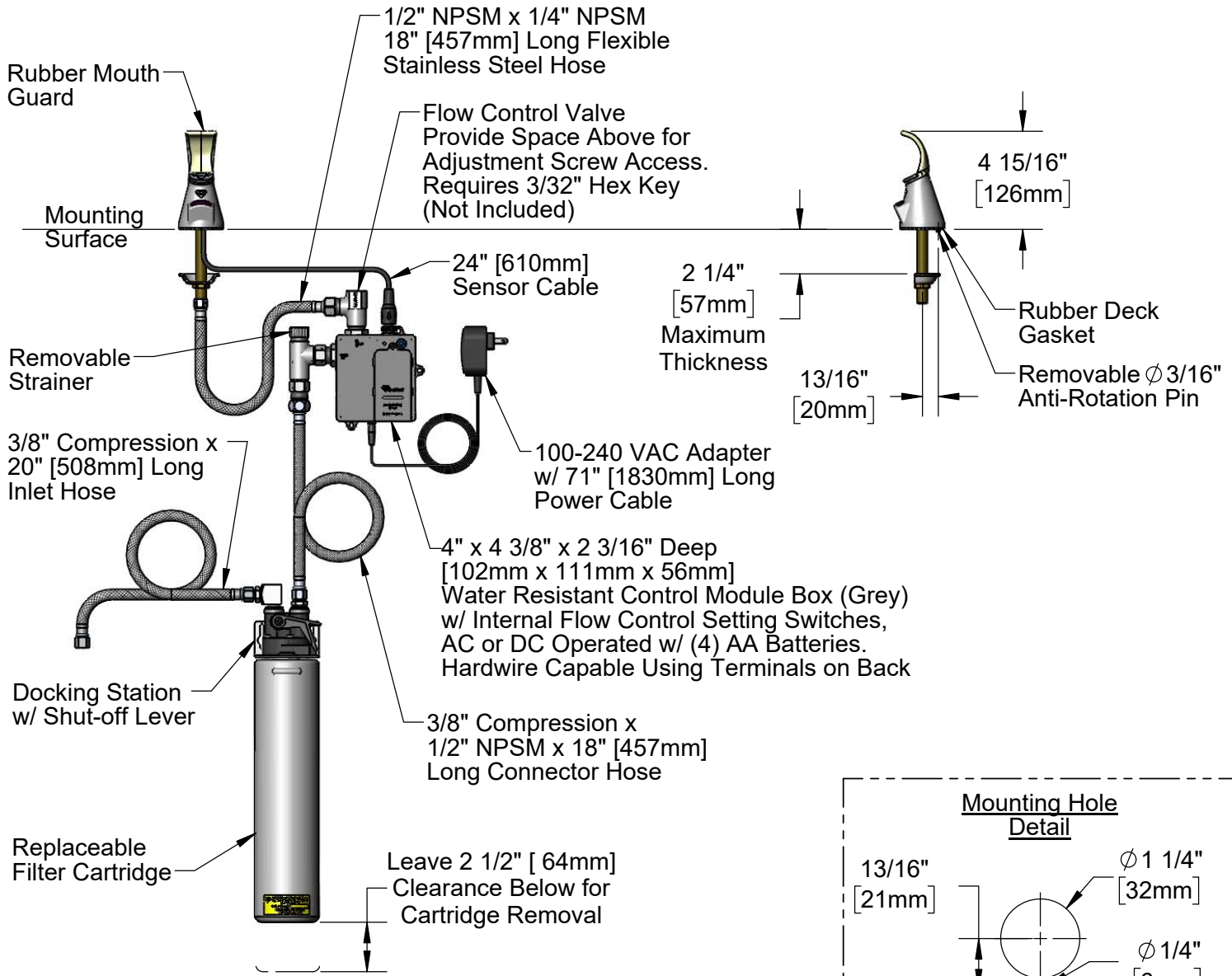
Model Specified \_\_\_\_\_ Quantity \_\_\_\_\_

Customer/Wholesaler \_\_\_\_\_

Contractor \_\_\_\_\_

Architect/Engineer \_\_\_\_\_

Ø 2 1/4"  
[57mm]



**Product Specifications:**  
 Chrome Plated Brass Electronic Bubbler: Single Hole, Deck Mount, Rubber Mouth Guard, AC/DC Control Module w/ Internal Flow Control Setting Switches, Flow Control Valve & Water Filtration Kit

**Product Compliance:**  
 ASME A112.18.1 / CSA B125.1  
 NSF 61 - Section 9  
 NSF 372 (Low Lead Content)  
 ANSI A117.1 (ADA)  
 UL 1951



# T&S BRASS AND BRONZE WORKS, INC.

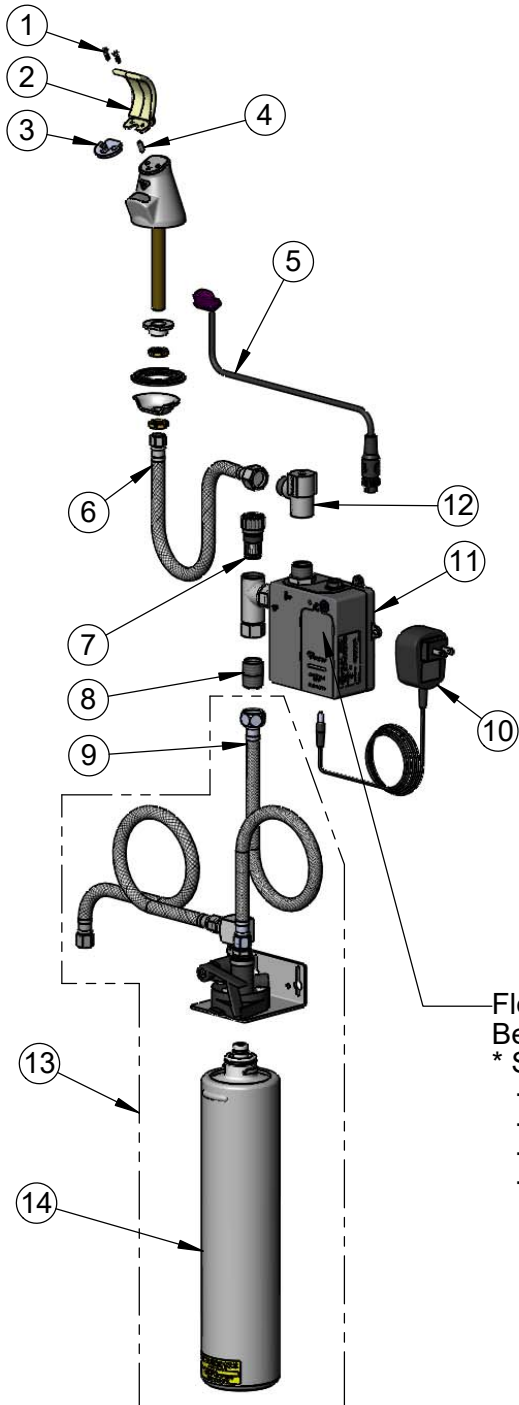
2 Saddleback Cove / P.O. Box 1088  
Travelers Rest, SC 29690

Model No.

**EC-2360-WFK**

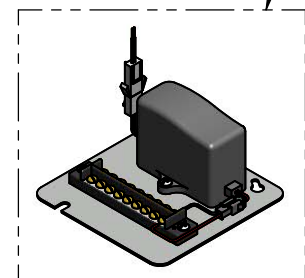
Item No.

Travelers Rest, SC: 800-476-4103 • Simi Valley, CA: 800-423-0150 • Fax: 864-834-3518 • www.tsbrass.com



ITEM NO.	SALES NO.	DESCRIPTION
1	009598-45	Mouth Guard Screw (2)
2	009595-45	Rubber Mouth Guard
3	009596-40	Mouth Guard Holder
4	009594-45	Flow Straightener
5	020315-45	Sensor Cable Assembly - Curved Lens
6	016297-45	Inlet Hose, Faucet, 1/2" NPSM-F x 1/4" NPSM-F
7	EC-FILTER	Replacement Filter
8	002534-25	Close Nipple, 1/2" NPT
9	5EF-0005	Supply Hose, 9/16-24 Female x 1/2" NPSM
10	5EF-0002C	AC Adapter - US Plug
11	019944-45	ChekPoint Control Module w/ Filter Tee
12	020672-40	Flow Control Valve
13	B-WFK	Water Filtration Kit
14	B-WFC	Filter Cartridge

A Maximum of (8) ChekPoint Faucets can be Hardwire Connected and Powered by EC-HARDWIRE ChekPoint Hardwire AC Transformer. (Sold Separately)



Flow Control DIP Switches are Located Behind Battery Compartment Cover.  
\* Switches are Set to DEFAULT Position:  
- Auto Time Out = 15 Seconds  
- Shut Off Delay = 1 Second  
- Auto Flush = OFF  
- Metering Mode = OFF

**\*Available Water Flow Control Selections:**

- Auto Time Out: 15 sec, 30 sec, 45 sec, 60 sec, 3 min, 20 min
- Shut Off Delay: 1 sec, 10 sec, 15 sec, 30 sec
- Auto Flush (30 Seconds After Every 12 Inactive Hours): ON or OFF
- Metering Mode: ON or OFF

**Product Specifications:**

Chrome Plated Brass Electronic Bubbler: Single Hole, Deck Mount, Rubber Mouth Guard, AC/DC Control Module w/ Internal Flow Control Setting Switches, Flow Control Valve & Water Filtration Kit

**Product Compliance:**

ASME A112.18.1 / CSA B125.1  
NSF 61 - Section 9  
NSF 372 (Low Lead Content)  
ANSI A117.1 (ADA)  
UL 1951