



T&S BRASS AND BRONZE WORKS, INC.

2 Saddleback Cove / P.O. Box 1088
Travelers Rest, SC 29690

Model No.

B-0578-01

Item No.

Travelers Rest, SC: 800-476-4103 • Simi Valley, CA: 800-423-0150 • Fax: 864-834-3518 • www.tsbrass.com



ADA Compliant

This Space for Architect/Engineer Approval

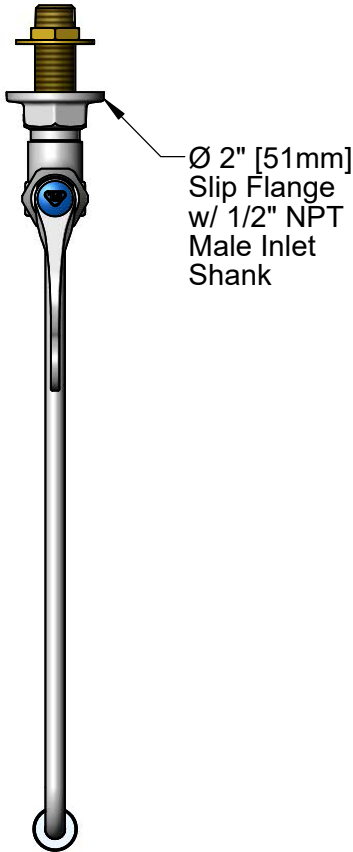
Job Name _____ Date _____

Model Specified _____ Quantity _____

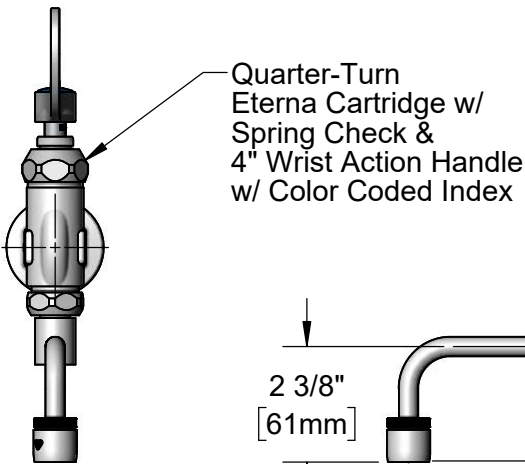
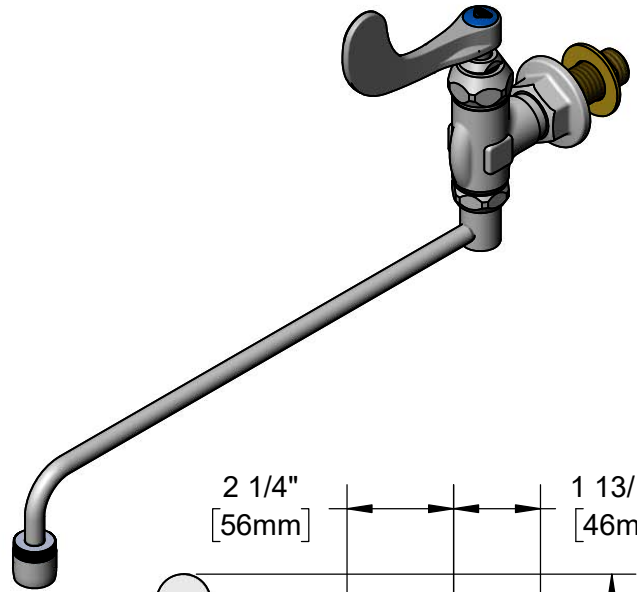
Customer/Wholesaler _____

Contractor _____

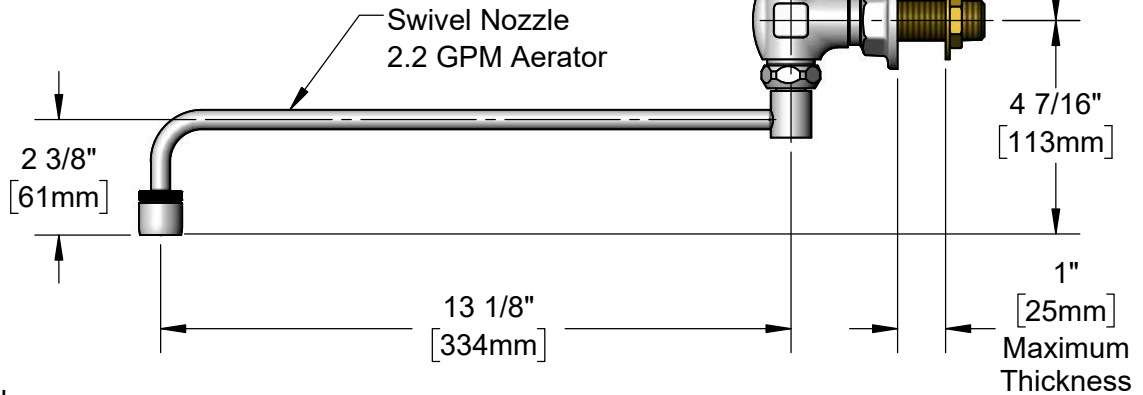
Architect/Engineer _____



Ø 2" [51mm]
Slip Flange
w/ 1/2" NPT
Male Inlet
Shank



Quarter-Turn
Eterna Cartridge w/
Spring Check &
4" Wrist Action Handle
w/ Color Coded Index



Rough-In Requirement:
Ø 1" [25mm] Mounting Hole

Product Specifications:

Wall Mount Range Faucet, Quarter-Turn Eterna Cartridge w/ Spring Check, 4" Wrist Action Handle, Swivel Nozzle w/ 2.2 GPM Aerator Outlet & 1/2" NPT Male Inlet Shank & Slip Flange

Product Compliance:

ASME A112.18.1 / CSA B125.1
NSF 61 - Section 9
NSF 372 (Low Lead Content)
ANSI A117.1 (ADA)



T&S BRASS AND BRONZE WORKS, INC.

2 Saddleback Cove / P.O. Box 1088
Travelers Rest, SC 29690

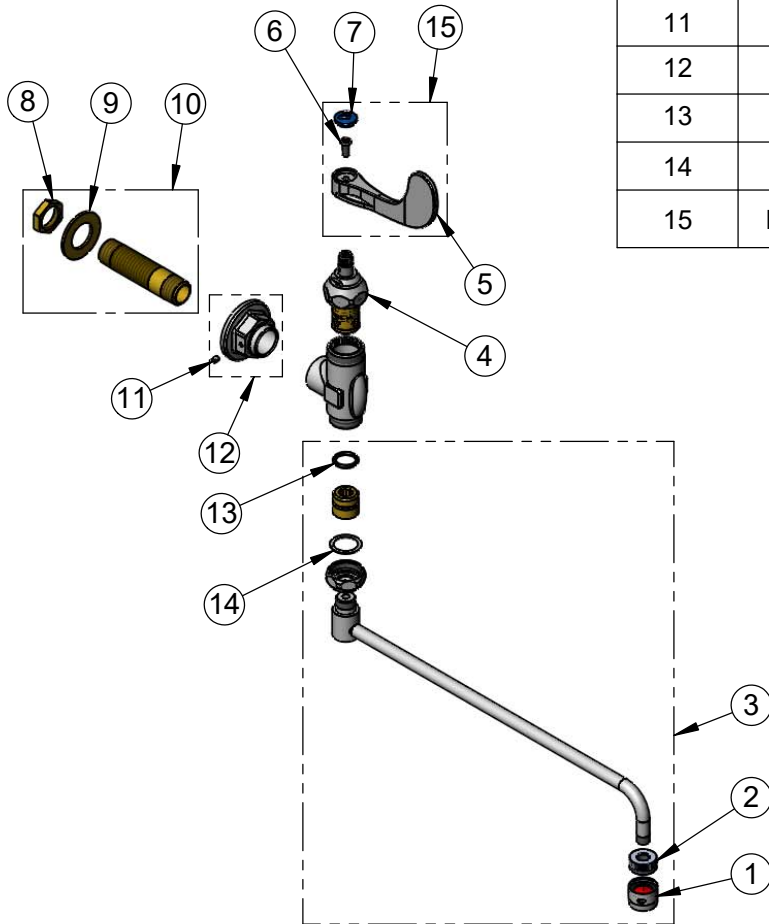
Model No.

B-0578-01

Item No.

Travelers Rest, SC: 800-476-4103 • Simi Valley, CA: 800-423-0150 • Fax: 864-834-3518 • www.tsbrass.com

ITEM NO.	SALES NO.	DESCRIPTION
1	B-0199-01	2.2 GPM Aerator, 55/64-27 UN Female
2	001624-25	Adapter, 1/8" Female x 55/64-27 UN Male
3	002868-40	Swivel Nozzle w/ 2.2 GPM Aerator
4	012443-40NS	Quarter-Turn Eterna Cartridge w/Spring Check, RTC
5	B-WH4-NS	Wrist Action Handle - New Style
6	000925-45	Lab Handle Screw
7	018506-19NS	Blue Button Index, Press-in
8	002954-45	Shank Lock Nut
9	000999-45	Brass Lock Washer
10	B-0426	1/2" NPT x 3 3/8" Supply Nipple
11	150F	8-32UN Set Screw
12	B-0460	1/2" Slip Flange
13	001074-45	O-Ring
14	009538-45	Swivel Washer
15	B-WH4C-NS	4" Wrist Action Handle w/ Blue Index & Screw



Product Specifications:

Wall Mount Range Faucet, Quarter-Turn Eterna Cartridge w/ Spring Check, 4" Wrist Action Handle, Swivel Nozzle w/ 2.2 GPM Aerator Outlet & 1/2" NPT Male Inlet Shank & Slip Flange

Product Compliance:

ASME A112.18.1 / CSA B125.1
NSF 61 - Section 9
NSF 372 (Low Lead Content)
ANSI A117.1 (ADA)