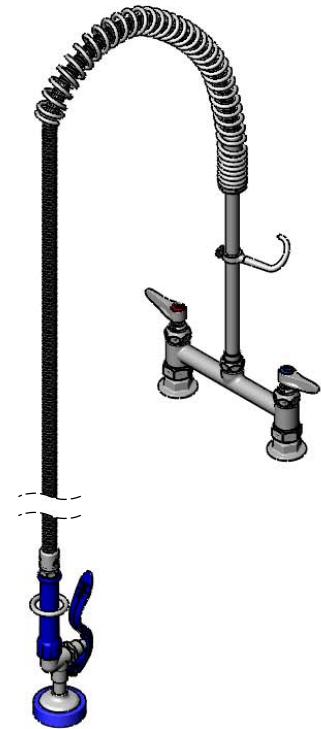
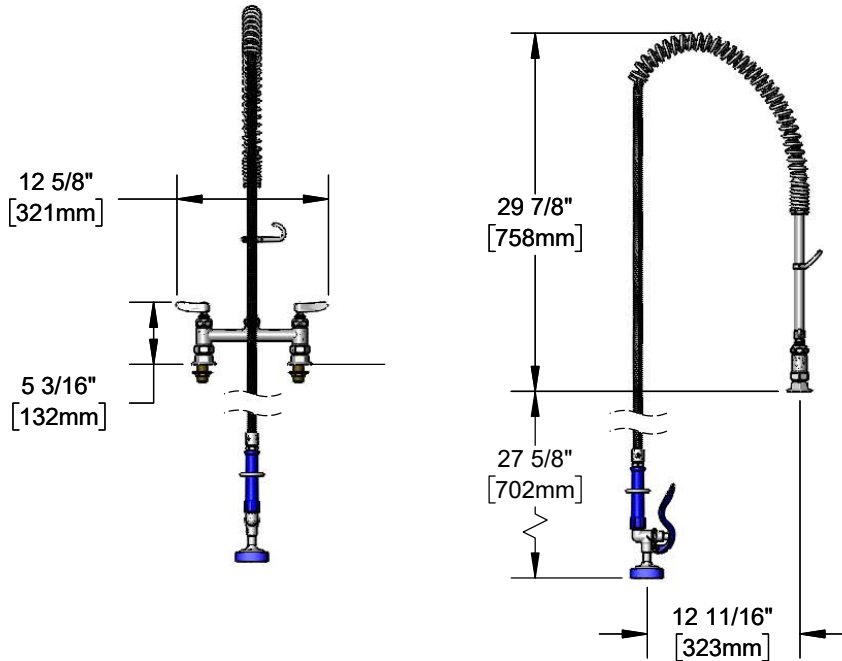




Architect/Engineering Specifications:

8" deck mount mixing faucet with polished chrome plated brass body, 12" riser, 72" flexible stainless steel hose with heat resistant handle, high flow spray valve, compression cartridges with spring checks, lever handles, 1/2" NPT female inlets, 1/2" NPT supply male nipple kit, spray valve holder and overhead spring. Certified to ASME A112.18.1/CSA B125.1.

Job Name _____
 Model Specified _____ Quantity _____
 Variations Specified _____
 Date _____



Features & Benefits:

- 8" deck mount polished chrome plated brass body
- EasyInstall riser for quick installation
- 72" flexible stainless steel hose w/ heat resistant blue handle and hold down ring
- High flow spray valve
- Quarter-turn Eterna compression cartridges w/ spring checks to prevent cross flow of water
- Lever handles w/ color coded indexes
- 1/2" NPT female inlets with Ø 2" adjustable flanges
- Adjustable centers from 7 3/4" to 8 1/4"
- 1/2" NPT supply male nipple kit
- Material: Polished chrome plated brass body, riser & spray valve body, stainless steel hose and chrome plated metal handles

Product Compliance:

- ASME A112.18.1 / CSA B125.1
- NSF 61 Exempt (Non-Potable)
- 2019 DOE PRSV Non-Compliant

Warranty: One Year (Limited)

Performance Data:

- Pressure: 20 - 125 psi
- Temperature: 40 °F - 140 °F
- Flow Rate: 4.26 GPM @ 60 psi

Optional Handles

- 4" Wrist Action
- Lever (Standard)
- 4-Arm

Optional Pre-Rinse Spray Valves

- B-0107 (1.15 GPM)
- B-0107-C (0.65 GPM)
- B-0107-J (1.07 GPM)
- B-0108 (1.07 GPM)
- B-0108-C (0.65 GPM)

Optional Cartridges With Checks

- Quarter-Turn Cerama w/ Check Valve
- Quarter-Turn Eterna w/ Spring Check (Standard)

