

*This Space for Architect/Engineer Approval*

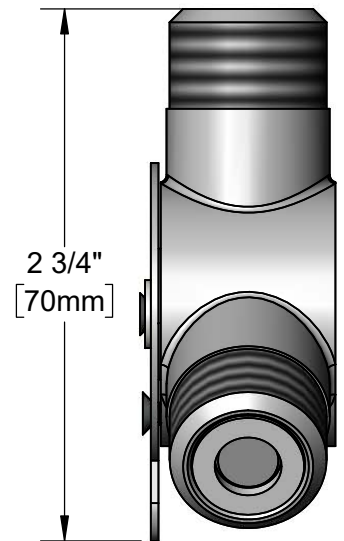
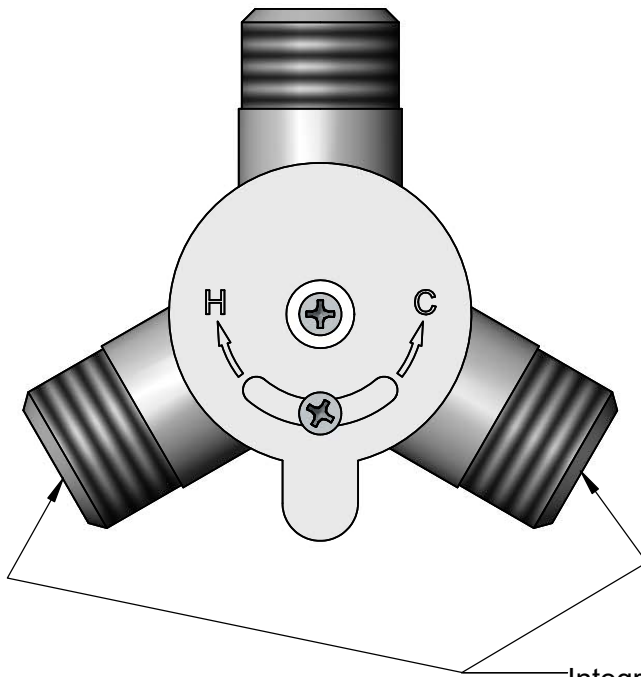
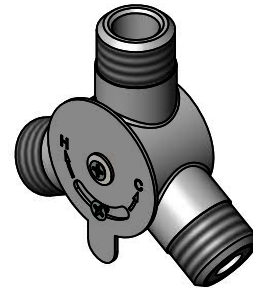
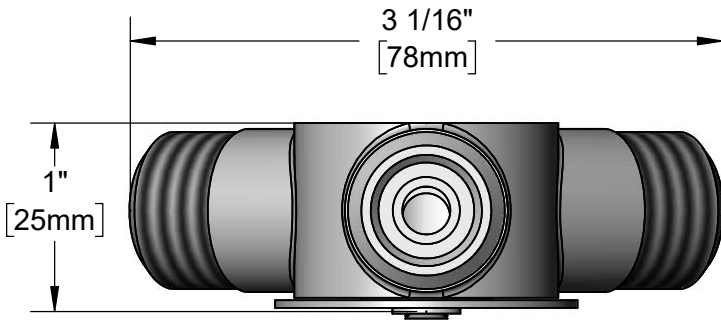
Job Name \_\_\_\_\_ Date \_\_\_\_\_

Model Specified \_\_\_\_\_ Quantity \_\_\_\_\_

Customer/Wholesaler \_\_\_\_\_

Contractor \_\_\_\_\_

Architect/Engineer \_\_\_\_\_



Integral Check Valves  
at Both Inlets

Model Number

**5EF-0006**

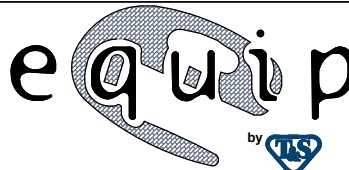
Product Specifications:

equip Electronic Faucet Mixing Valve w/ 1/2" NPSM Valves and  
Integral Check Valves at Both Inlets

Product Compliance:

ASME A112.18.1 / CSA B125.1  
NSF 61 - Section 9  
NSF 372 (Low Lead Content)

equip  
Foodservice  
Accessories



2 Saddleback Cove, P.O. Box 1088  
Travelers Rest, South Carolina 29690  
Phone: 800.891.4808 Fax: 800.868.0084  
equip.tsbrass.com

Drawn: JDR

Checked: KJG

Approved: JHB

Date: 01/23/23

Scale: 1:1

Sheet: 1 of 1