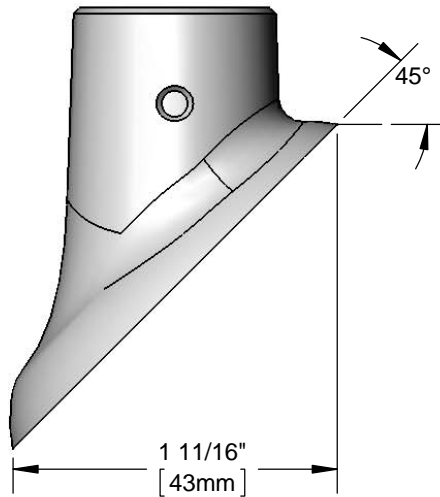
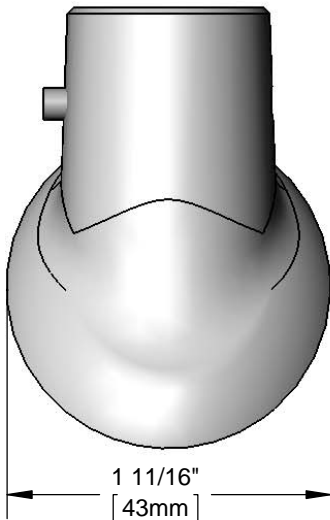
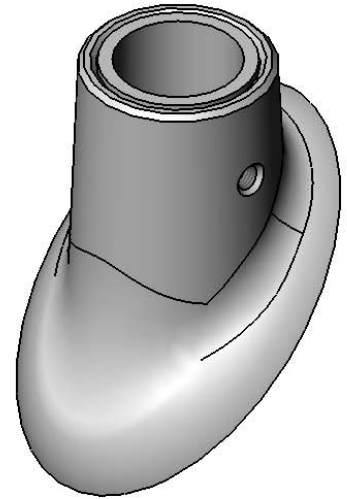




**Architect/Engineering Specifications:**

Angle slip flange for 3/8" NPT pipe, with polished chrome plated brass body.

Job Name _____
Model Specified _____ Quantity _____
Variations Specified _____
Date _____



**Features & Benefits:**

- Angle slip flange for 3/8" NPT pipe
- Pipe must be held rigid under with with connection fittings, brace, etc.
- Material: Polished chrome plated brass body

**Product Compliance:**

- N/A

**Warranty:** One Year (Limited)

**Performance Data:**

- N/A

