



T&S BRASS AND BRONZE WORKS, INC.

2 Saddleback Cove / P.O. Box 1088
Travelers Rest, SC 29690

Model No.

B-3950-SB

Item No.

Travelers Rest, SC: 800-476-4103 • Simi Valley, CA: 800-423-0150 • Fax: 864-834-3518 • www.tsbrass.com

This Space for Architect/Engineer Approval

Job Name _____ Date _____

Model Specified _____ Quantity _____

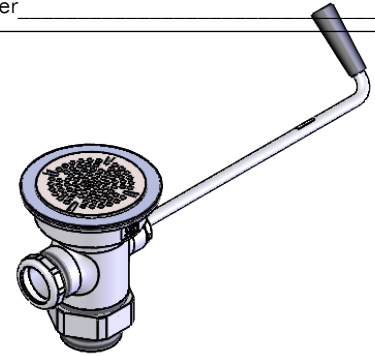
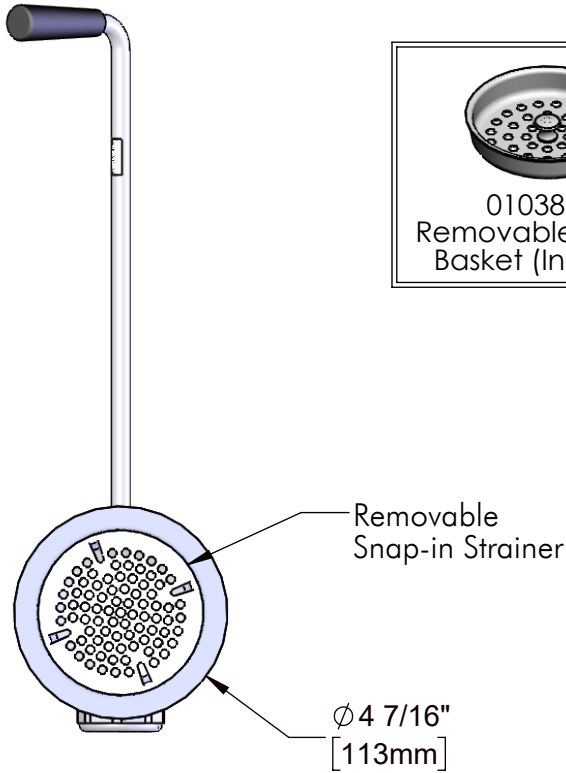
Customer/Wholesaler _____

Contractor _____

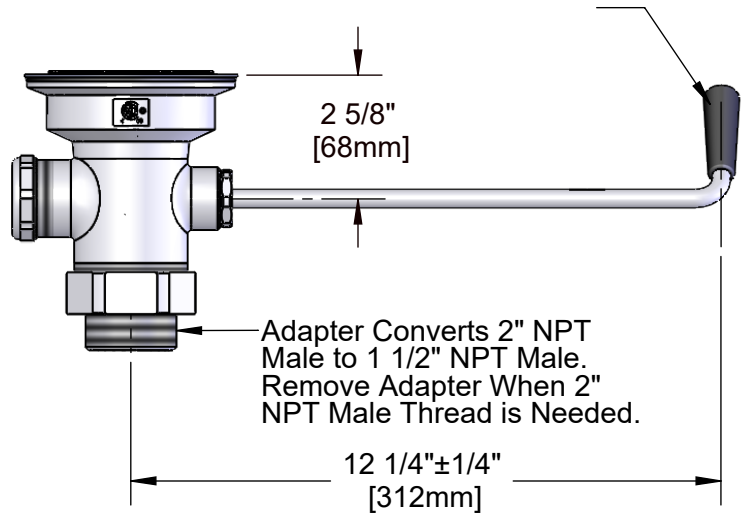
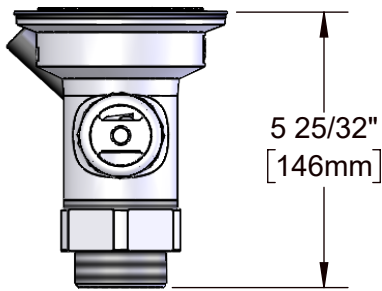
Architect/Engineer _____



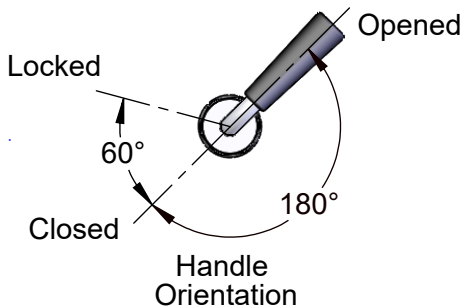
010387-45
Removable Strainer
Basket (Included)



Twist Handle w/ Heat
Resistant Plastic Grip
(Shown in Open Position)



Adapter Converts 2" NPT
Male to 1 1/2" NPT Male.
Remove Adapter When 2"
NPT Male Thread is Needed.



Product Specifications:
Rotary Waste Valve w/ Twist Handle, 3 1/2" Sink Opening, 2" NPT Male Outlet
& 1 1/2" NPT Male Adapter & Removable Strainer Basket

Product Compliance:
ASME A112.18.2 / CSA B125.2



T&S BRASS AND BRONZE WORKS, INC.

2 Saddleback Cove / P.O. Box 1088
Travelers Rest, SC 29690

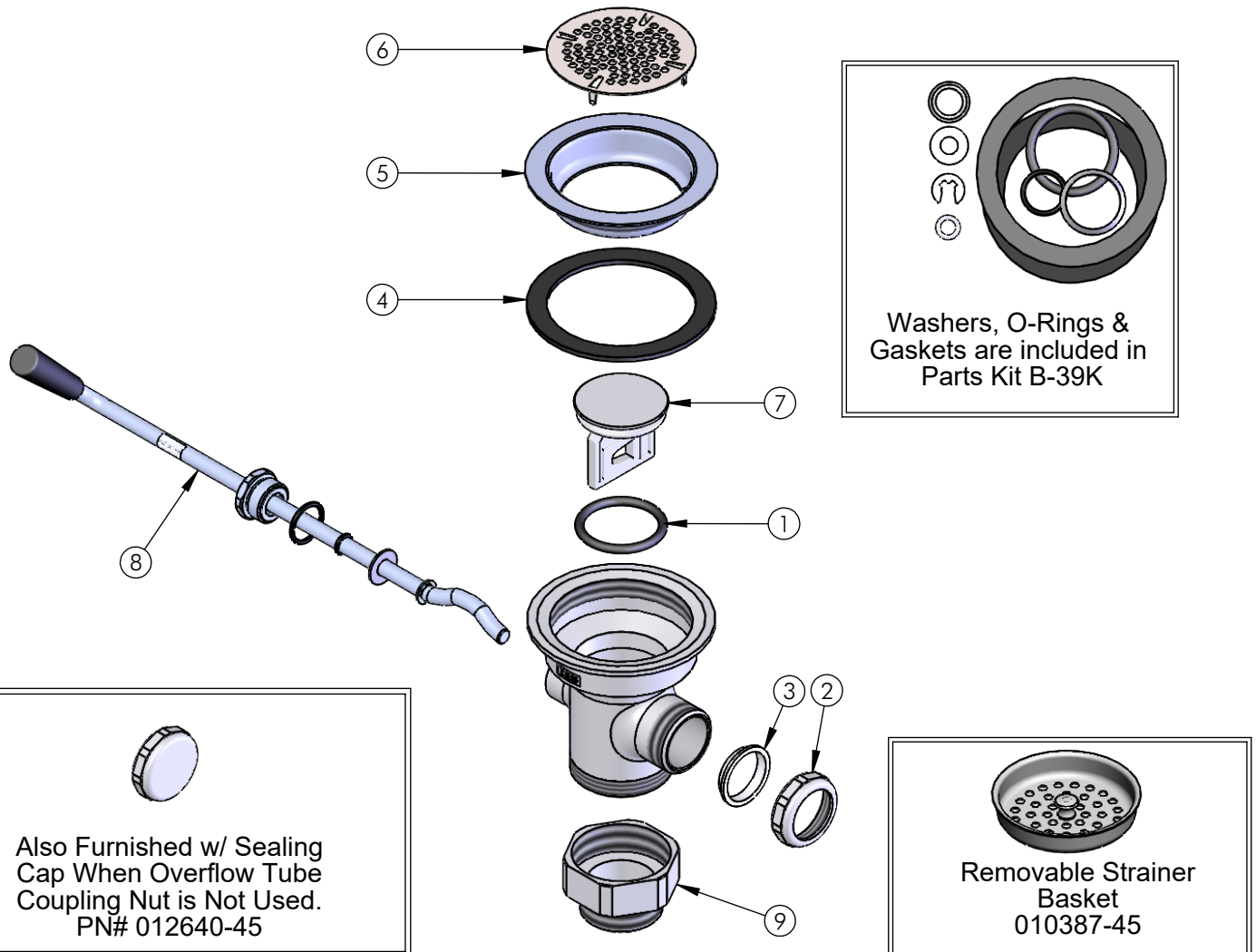
Model No.

B-3950-SB

Item No.

Travelers Rest, SC: 800-476-4103 • Simi Valley, CA: 800-423-0150 • Fax: 864-834-3518 • www.tsbrass.com

ITEM NO.	SALES NO.	DESCRIPTION
1	010389-45	O-Ring, Plunger
2	010391-45	Nut, Coupling for Twist Drain
3	010390-45	Ferrule, Coupling Nut
4	010382-45	Gasket, 3 1/2" Face Flange
5	010384-45	Flange, 3 1/2" Face
6	010386-45	Strainer, 3 1/2" Snap-in Removable
7	010388-45	Plunger, Lever and Twist Drain
8	010393-45	Handle Asm, Rotary Waste Valve Twist
9	B-3945	Adapter, 2" NPT x 1 1/2" NPT



Product Specifications:

Rotary Waste Valve w/ Twist Handle, 3 1/2" Sink Opening, 2" NPT Male Outlet & 1 1/2" NPT Male Adapter & Removable Strainer Basket

Product Compliance:

ASME A112.18.2 / CSA B125.2