



T&S BRASS AND BRONZE WORKS, INC.

2 Saddleback Cove / P.O. Box 1088
Travelers Rest, SC 29690

Model No.

BL-5725-08

Item No.

Travelers Rest, SC: 800-476-4103 • Simi Valley, CA: 800-423-0150 • Fax: 864-834-3518 • www.tsbrass.com



ADA Compliant

This Space for Architect/Engineer Approval

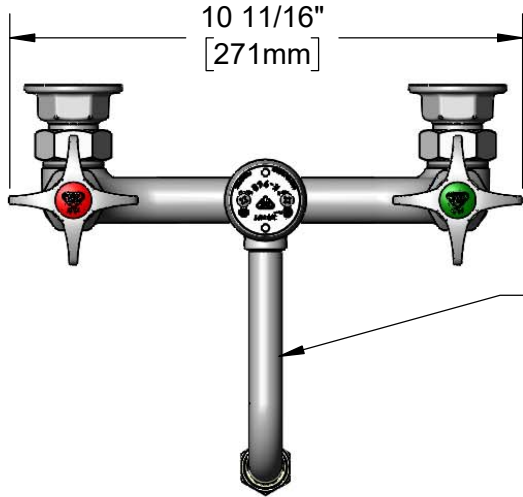
Job Name _____ Date _____

Model Specified _____ Quantity _____

Customer/Wholesaler _____

Contractor _____

Architect/Engineer _____

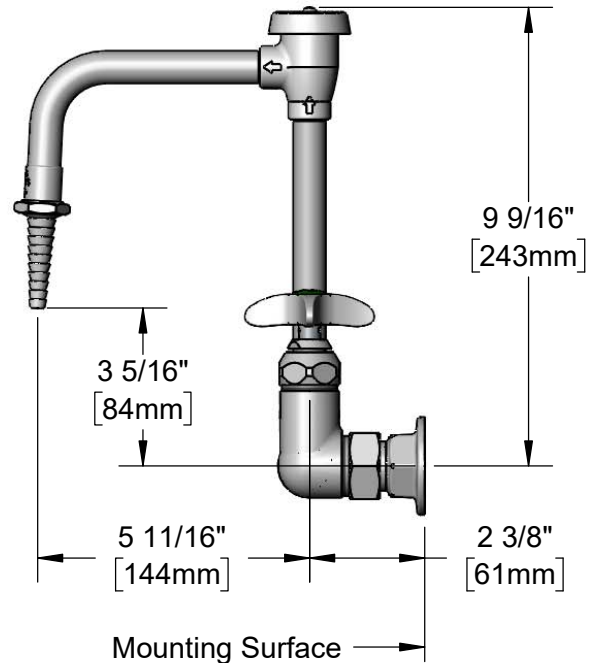
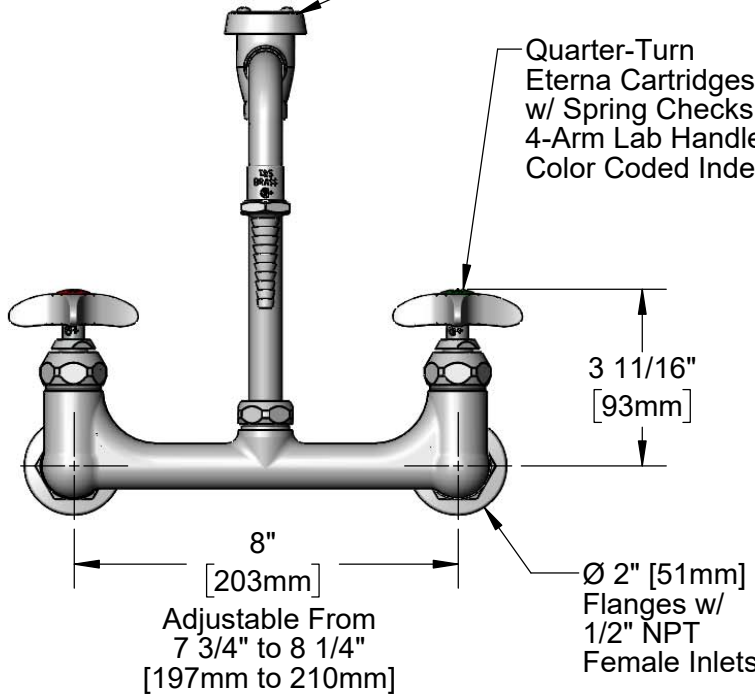


BL-5560-03
Swivel Nozzle w/ Vacuum
Breaker & Serrated Tip Outlet
w/ 0.5 GPM Flow Control.
Converts to Rigid w/ 014200-45
Lock Washer (Included)



B-0968
3/8" NPT Vacuum
Breaker

Quarter-Turn
Eterna Cartridges
w/ Spring Checks &
4-Arm Lab Handles w/
Color Coded Indexes



Product Specifications:

8" Wall Mount Laboratory Mixing Faucet, Quarter-Turn Eterna Cartridges w/ Spring Checks, 4-Arm Lab Handles, Swivel/Rigid Vacuum Breaker Nozzle, Serrated Tip Outlet w/ 0.5 GPM Flow Control & 1/2" NPT Female Inlets

Product Compliance:

ASME A112.18.1 / CSA B125.1
NSF 61 - Section 9
NSF 372 (Low Lead Content)
ANSI A117.1 (ADA)
ASSE 1001 (VB)



T&S BRASS AND BRONZE WORKS, INC.

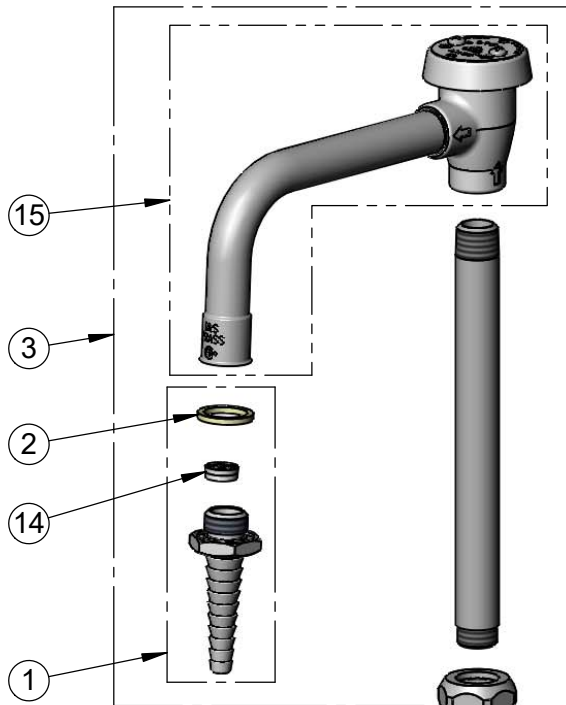
2 Saddleback Cove / P.O. Box 1088
Travelers Rest, SC 29690

Model No.

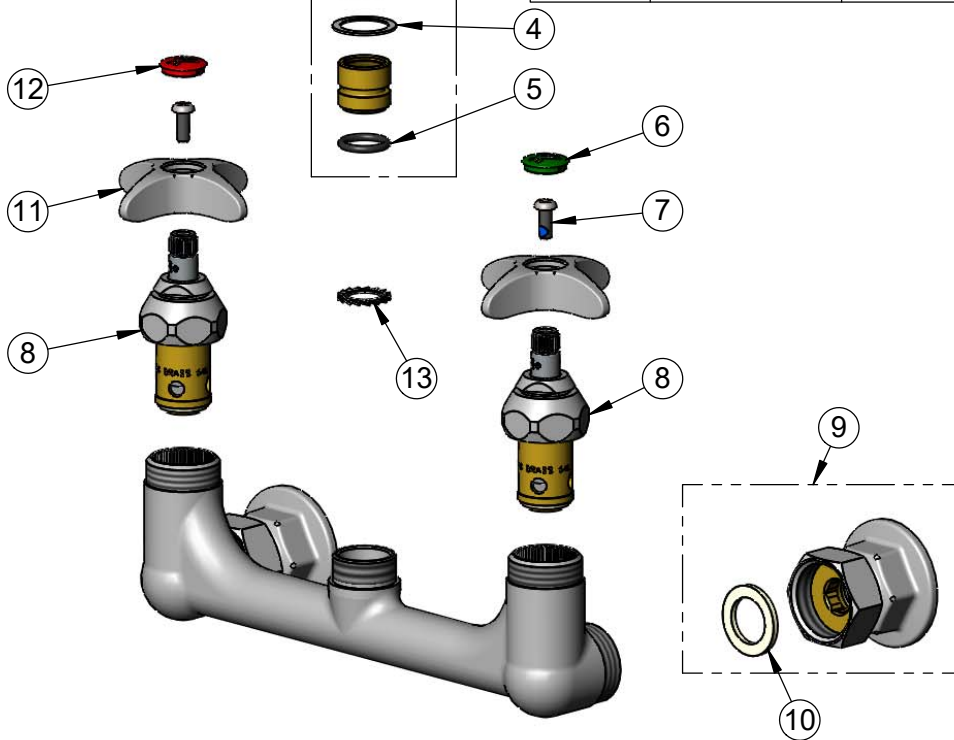
BL-5725-08

Item No.

Travelers Rest, SC: 800-476-4103 • Simi Valley, CA: 800-423-0150 • Fax: 864-834-3518 • www.tsbrass.com



ITEM NO.	SALES NO.	DESCRIPTION
1	B-0198-FD05	Serrated Tip w/ 0.5 GPM Flow Disc & Washer
2	001051-45	Washer
3	BL-5560-03	Swivel Vacuum Breaker Nozzle w/ Serrated Tip Outlet w/ 0.5 GPM Flow Disc
4	009538-45	Swivel Washer
5	001074-45	O-ring
6	001191-45NS	Green "CW" Lab Button Index
7	000925-45	Lab Handle Screw
8	012443-40NS	Quarter-Turn Eterna Cartridge, RTC w/ Spring Check
9	00AA	1/2" NPT Female Eccentric Flange
10	001019-45	Coupling Nut Washer
11	002521-45NS	4-Arm Handle (New Style)
12	001194-45NS	Red "HW" Lab Button Index
13	014200-45	Star Washer, Anti-Rotation
14	FD05	Flow Disc, 0.5 GPM [1.9 L/min.] (Lime)
15	007283-40	Vacuum Breaker Nozzle



Product Specifications:

8" Wall Mount Laboratory Mixing Faucet, Quarter-Turn Eterna Cartridges w/ Spring Checks, 4-Arm Lab Handles, Swivel/Rigid Vacuum Breaker Nozzle, Serrated Tip Outlet w/ 0.5 GPM Flow Control & 1/2" NPT Female Inlets

Product Compliance:

ASME A112.18.1 / CSA B125.1
NSF 61 - Section 9
NSF 372 (Low Lead Content)
ANSI A117.1 (ADA)
ASSE 1001 (VB)