



T&S BRASS AND BRONZE WORKS, INC.
 2 Saddleback Cove / P.O. Box 1088
 Travelers Rest, SC 29690

Model No.
5EF-0010C

Item No.

Travelers Rest, SC: 800-476-4103 • Simi Valley, CA: 800-423-0150 • Fax: 864-834-3518 • www.tsbrass.com



This Space for Architect/Engineer Approval

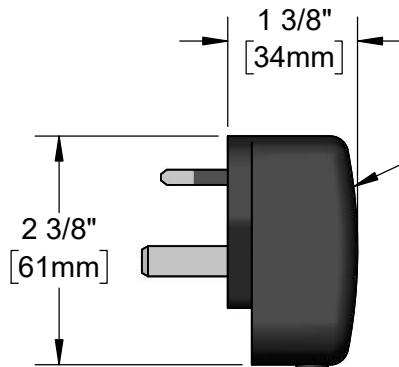
Job Name _____ Date _____

Model Specified _____ Quantity _____

Customer/Wholesaler _____

Contractor _____

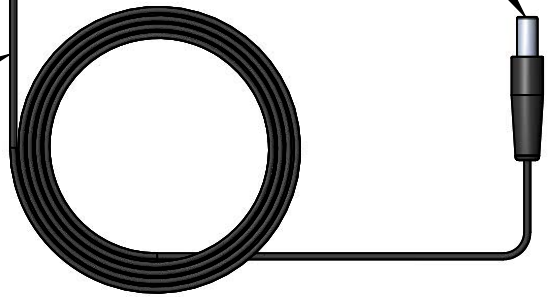
Architect/Engineer _____



Plug-in Adapter for UK Receptacles.
 Input: 100-240 VAC, 50/60 Hz
 Output: 6 VDC / 1.0 A

Plugs Into DC Jack on ChekPoint / equip
 Sensor Faucet
 Control Modules

72" [1830mm]
 Power Cord



Product Specifications:
 Plug-In AC/DC Adapter for UK Receptacles,
 100-240 VAC Input, 6 VDC Output

Product Compliance:
 UL Listed
 Class 2
 Level VI