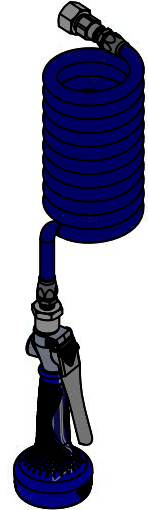
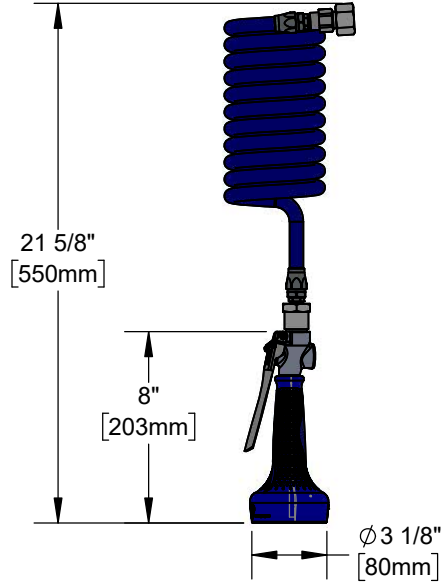
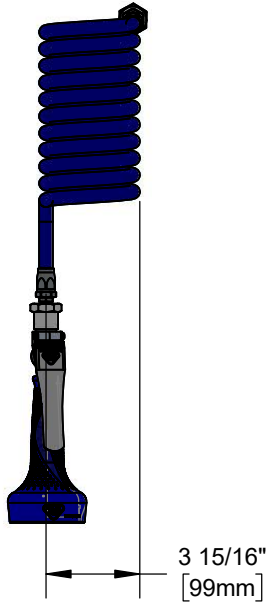




**Architect/Engineering Specifications:**

Blue coiled polyurethane hose with high flow blue spray valve and 1/2" NPT female adapter. Certified to ASME A112.18.1/CSA B125.1.

Job Name \_\_\_\_\_  
 Model Specified \_\_\_\_\_ Quantity \_\_\_\_\_  
 Variations Specified \_\_\_\_\_  
 Date \_\_\_\_\_



**Features & Benefits:**

- Blue coiled polyurethane hose
- High flow spray valve
- 1/2" NPT female adapter
- Material: Polyurethane hose and chrome plated brass spray valve and insulated rubber grip handle

**Product Compliance:**

- ASME A112.18.1 / CSA B125.1
- NSF 61 Exempt (Non-Potable)

**Warranty:** One Year (Limited)

**Performance Data:**

- Pressure: 20 - 125 psi
- Temperature: 40 °F -140 °F
- Flow Rate: 3.85 GPM @ 60 psi

