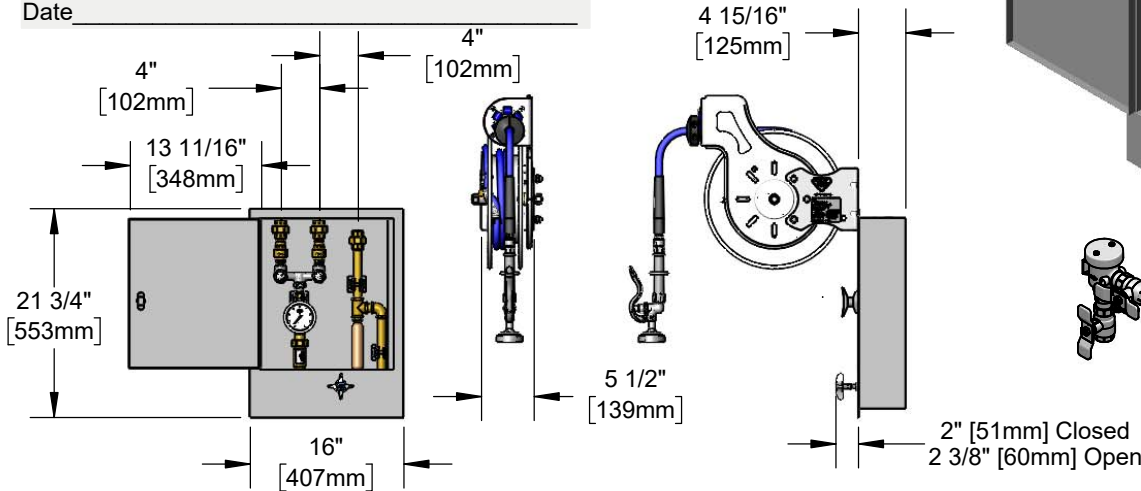




Architect/Engineering Specifications:

Hose reel control unit, stainless steel water control cabinet containing 1/2" union inlets and outlet, 1/2" check valves, loose key mixing valve with compression spindles, bi-metallic thermometer, dual check valve backflow preventer, shut-off valve and water hammer arrestor, open coated hose reel with 3/8" x 35' heavy-duty non-marking hose, ratcheting system, 1.15 GPM spray valve with swivel, vacuum breaker, 3/8" NPT flexible water hose connector with stainless steel quick disconnect, multi-fit bracket and adjustable hose bumper. Certified to ASSE 1024, ASSE 1056 and ASSE 1010. 2019 DOE PRSV - Class II compliant.

Job Name _____
 Model Specified _____ Quantity _____
 Variations Specified _____
 Date _____



Features & Benefits:

- Flush mount stainless steel control cabinet with locking latch contains water control system
- 1/2" NPT female union inlets (2) and outlet
- 1/2" in-line check valves
- Loose key mixing valve with compression spindles, tee handles and screws
- Bi-metallic thermometer with ϕ 3" dial face
- Dual check valve backflow preventer
- Shut-off valve with 4-arm handle operable from outside of closed cabinet
- Continuous pressure vacuum breaker (included)
- 36" flexible water hose connector w/ stainless steel quick disconnect (included)
- Open stainless steel hose reel with 3/8" NPT female inlet
- 1.15 GPM spray valve w/ heat resistant grey handle, swivel and hold down ring
- 3/8" x 35' heavy-duty non-marking hose rated to 300 PSI
- Ratcheting system holds the length of hose until a slight tug to retract automatically
- Adjustable hose bumper
- Multi-fit bracket for wall, ceiling or under counter mounting
- Material: Stainless steel cabinet, open stainless steel reel, chrome plated metal handle, brass control unit components and wall bracket.

Product Compliance:

- ASSE 1024 (VB)
- NSF 61 Exempt (Non-Potable)
- 2019 DOE PRSV - Class II
- ASSE 1056 (VB)
- ASSE 1010 (Arrestor)

Warranty: One Year (Limited)

Performance Data:

- Pressure: 20 - 125 psi [1.38 - 8.62 bar]
- Temperature: 40 °F - 140 °F [4.44 °C - 60 °C]
- Flow Rate: 1.15 GPM [4.35 L/min] @ 60 psi [4.14 bar]



Optional Hose Reel Spray Valves

- B-0107 Spray Valve (Standard)
- B-0108 Ergonomic Medium Flow Spray Valve
- B-0108-H Ergonomic High Flow Spray Valve
- EB-0107 High Flow Spray Valve
- EB-2322 Extended Spray Wand
- MV-2516-24 Stainless Steel Rear Trigger Water Gun
- MV-2522-24 Stainless Steel Front Trigger Water Gun
- MV-3516-24 Aluminum Rear Trigger Water Gun

