



Backflow Preventers
B-0969-RK01

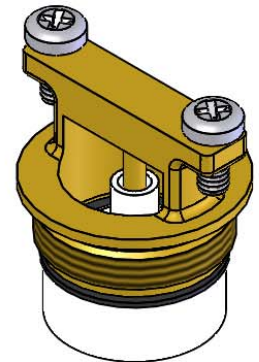
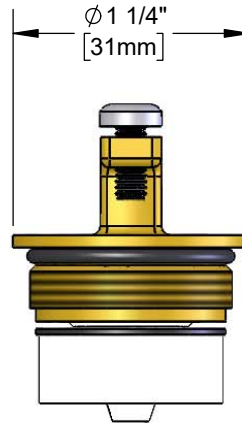
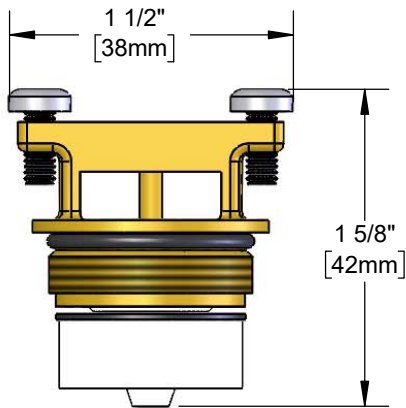
TAG:

Vacuum Breaker Repair Kit

Architect/Engineering Specifications:

1/2" NPT vacuum breaker repair kit with brass insert, o-ring, screws and piston. Certified to NSF 61-Section 9 and NSF 372.

Job Name _____
 Model Specified _____ Quantity _____
 Variations Specified _____
 Date _____



Features & Benefits:

- 1/2" NPT vacuum breaker brass insert
- O-ring
- Disc seal
- Float piston
- Cover plate screws
- Material: Brass insert and rubber seal & piston

Product Compliance:

- NSF 61 - Section 9
- NSF 372 (Low Lead Content)



Warranty: One Year (Limited)

Performance Data:

- N/A



T&S BRASS AND BRONZE WORKS, INC.



• 2 Saddleback Cove • Travelers Rest, SC 29690
 Ph 800-476-4103 • Fax 864-834-3518
 • Simi Valley, CA • Ph 800-423-0150 • www.tsbrass.com

Date: 05/12/22