



T&S BRASS AND BRONZE WORKS, INC.
 2 Saddleback Cove / P.O. Box 1088
 Travelers Rest, SC 29690

Model No.

BL-5715-10

Item No.

Travelers Rest, SC: 800-476-4103 • Simi Valley, CA: 800-423-0150 • Fax: 864-834-3518 • www.tsbrass.com

This Space for Architect/Engineer Approval

Job Name _____ Date _____

Model Specified _____ Quantity _____

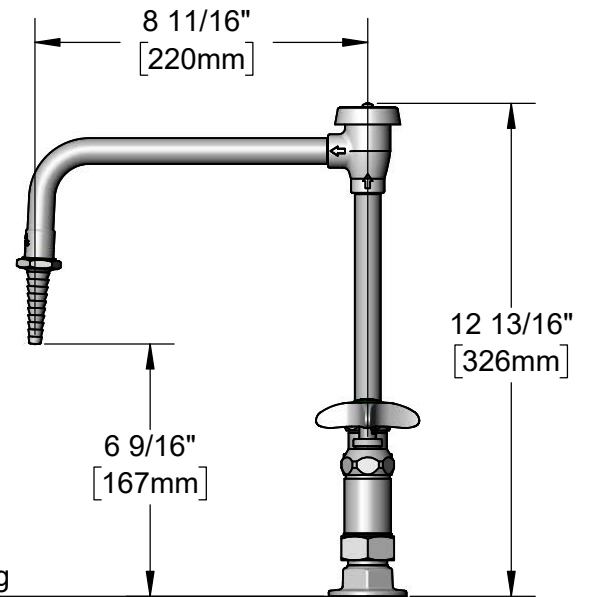
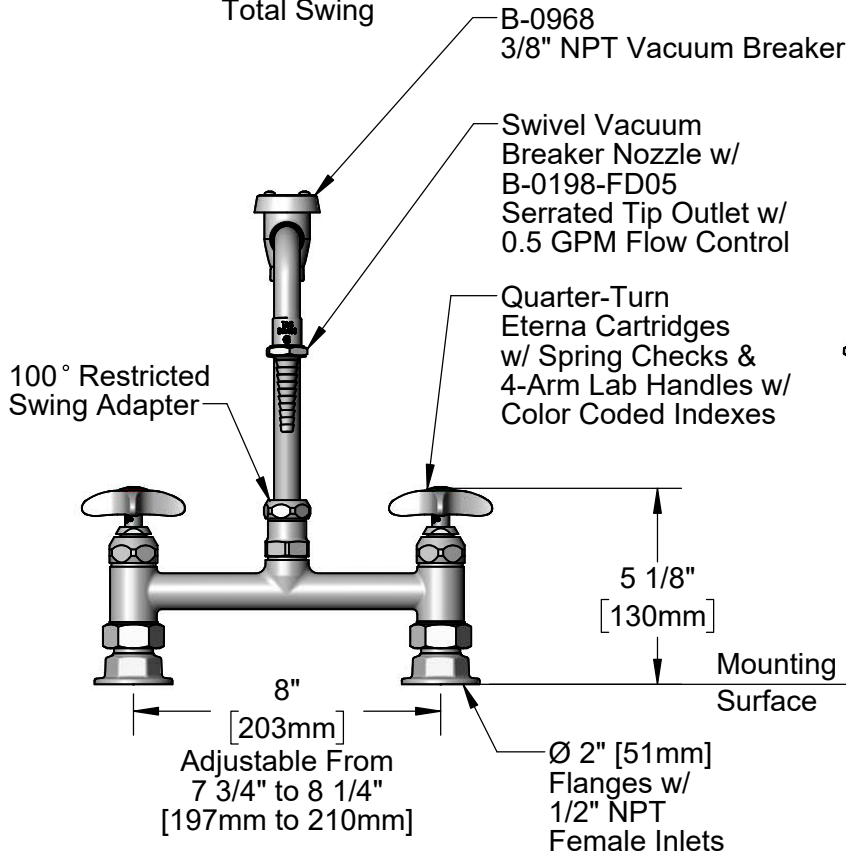
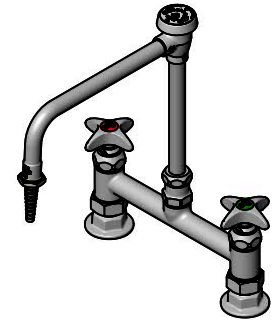
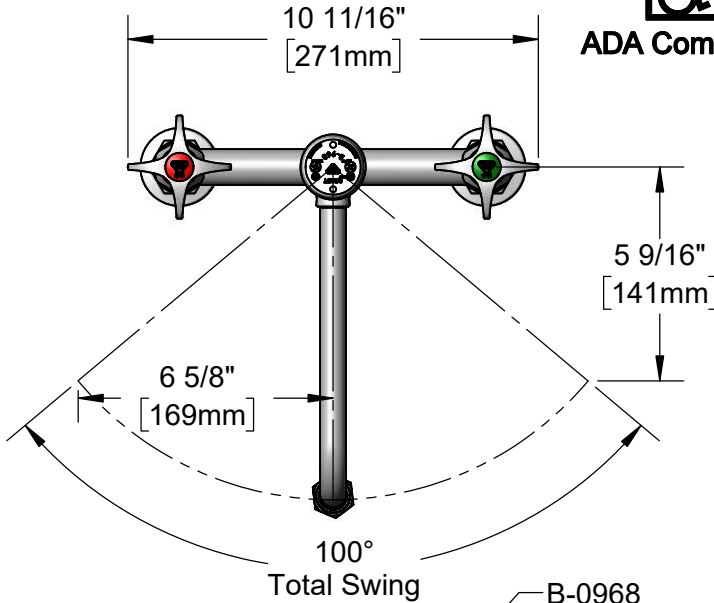
Customer/Wholesaler _____

Contractor _____

Architect/Engineer _____



ADA Compliant



Product Specifications:

8" Deck Mount Laboratory Mixing Faucet, Quarter-Turn Eterna Cartridges w/ Spring Checks, 4-Arm Lab Handles, Swivel Vacuum Breaker Nozzle, Serrated Tip Outlet w/ 0.5 GPM Flow Control, Restricted Swing Adapter & 1/2" NPT Female Inlets

Product Compliance:

ASME A112.18.1 / CSA B125.1
 NSF 61 - Section 9
 NSF 372 (Low Lead Content)
 ANSI A117.1 (ADA)
 ASSE 1001 (VB)



T&S BRASS AND BRONZE WORKS, INC.
 2 Saddleback Cove / P.O. Box 1088
 Travelers Rest, SC 29690

Model No.

BL-5715-10

Item No.

Travelers Rest, SC: 800-476-4103 • Simi Valley, CA: 800-423-0150 • Fax: 864-834-3518 • www.tsbrass.com

ITEM NO.	SALES NO.	DESCRIPTION
1	B-0198-FD05	Serrated Tip w/ 0.5 GPM Flow Disc & Washer
2	001051-45	Washer
3	B-0968	3/8" NPT Vacuum Breaker
4	009538-45	Swivel Washer
5	001074-45	O-Ring
6	BL-5550-31	Restricted Swing Adapter
7	001191-45NS	Green "CW" Lab Button Index
8	000925-45	Lab Handle Screw
9	012443-40NS	Quarter-Turn Eterna Cartridge, RTC w/ Spring Check
10	001019-45	Coupling Nut Washer
11	00AA	1/2" NPT Female Eccentric Flange
12	002521-45NS	4-Arm Handle (New Style)
13	001194-45NS	Red "HW" Lab Button Index
14	FD05	Flow Disc, 0.5 GPM [1.9 L/min.] (Lime)

Product Specifications:
 8" Deck Mount Laboratory Mixing Faucet, Quarter-Turn Eterna Cartridges w/ Spring Checks, 4-Arm Lab Handles, Swivel Vacuum Breaker Nozzle, Serrated Tip Outlet w/ 0.5 GPM Flow Control, Restricted Swing Adapter & 1/2" NPT Female Inlets

Product Compliance:
 ASME A112.18.1 / CSA B125.1
 NSF 61 - Section 9
 NSF 372 (Low Lead Content)
 ANSI A117.1 (ADA)
 ASSE 1001 (VB)