

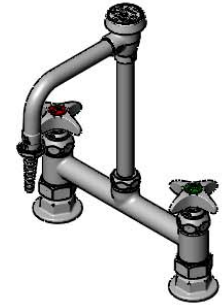
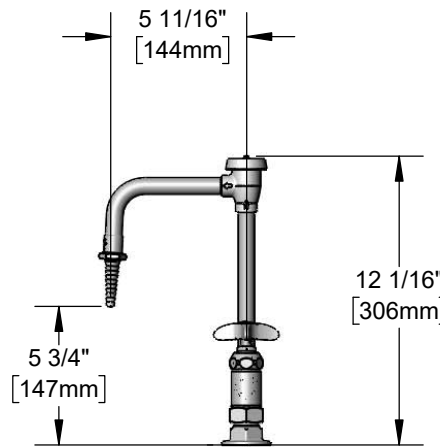
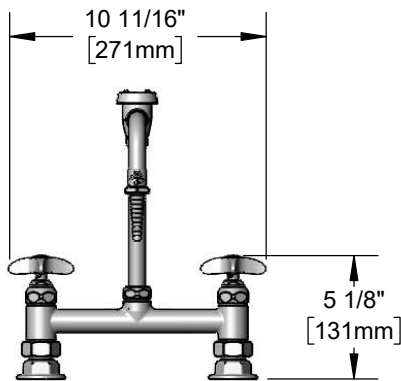


Deck Mount Mixing Faucet

Architect/Engineering Specifications:

8" deck mount mixing faucet with polished chrome plated brass body, 6" riser, polished chrome plated swivel/rigid nozzle with vacuum breaker and serrated tip outlet with 0.5 GPM flow control, compression cartridges with spring checks, 4-arm handles and 1/2" NPT female inlets. Certified to ASME A112.18.1/CSA B125.1, NSF 61-Section 9, NSF 372 and ASSE 1001. Meets ADA ANSI/ICC A117.1 requirements.

Job Name _____
 Model Specified _____ Quantity _____
 Variations Specified _____
 Date _____



Features & Benefits:

- 8" deck mount mixing faucet with polished chrome plated brass body
- Polished chrome plated swivel/rigid nozzle w/ 3/8" NPT vacuum breaker
- Serrated tip outlet w/ 0.5 GPM flow control & washer
- Lock washer provided for rigid application
- Quarter-turn Eterna compression cartridges w/ spring checks to prevent cross flow of water
- 4-arm handles w/ color coded indexes
- 1/2" NPT female eccentric inlets w/ Ø2" flanges
- Adjustable centers from 7 3/4" to 8 1/4"
- Material: Polished chrome plated brass body, tubular spout and handles

Product Compliance:

- ASME A112.18.1 / CSA B125.1
- NSF 61 - Section 9
- NSF 372 (Low Lead Content)
- ANSI A117.1 (ADA)
- ASSE 1001 (VB)

Warranty: One Year (Limited)

Performance Data:

- Pressure: 20 - 125 psi
- Temperature: 40 °F - 140 °F
- Flow Rate: 0.5 GPM @ 60 psi



Optional Cartridges With Checks

- Quarter-Turn Cerama w/ Check Valve
- Quarter-Turn Eterna w/ Spring Check (Standard)

Optional Handles

- 4" Wrist Action
- Lever
- 4-Arm (Standard)

