



T&S BRASS AND BRONZE WORKS, INC.
 2 Saddleback Cove / P.O. Box 1088
 Travelers Rest, SC 29690

Model No.
B-7222-C01XS1C

Item No.

Travelers Rest, SC: 800-476-4103 • Simi Valley, CA: 800-423-0150 • Fax: 864-834-3518 • www.tsbrass.com

This Space for Architect/Engineer Approval

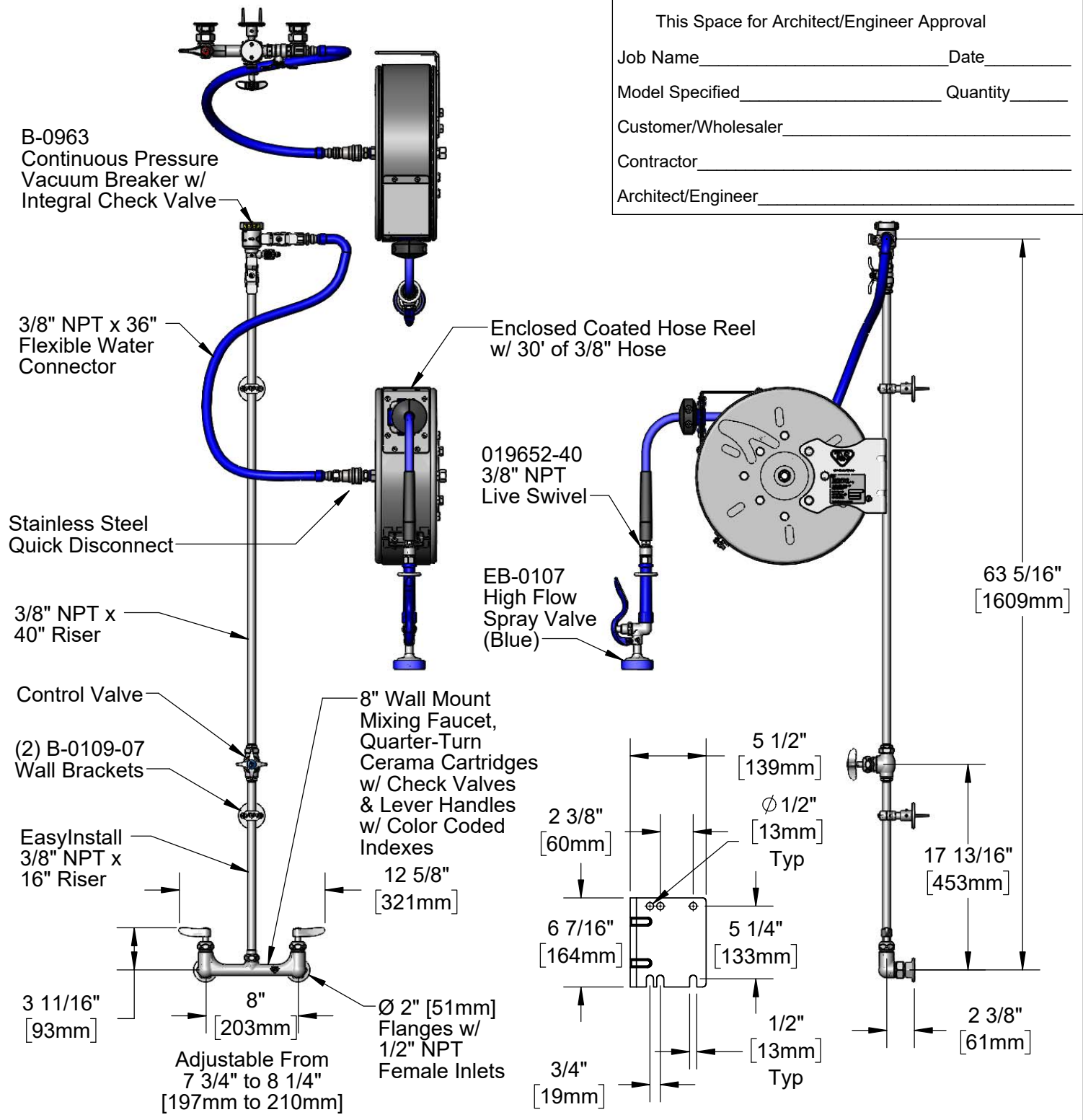
Job Name _____ Date _____

Model Specified _____ Quantity _____

Customer/Wholesaler _____

Contractor _____

Architect/Engineer _____



Product Specifications:
 Enclosed Coated Hose Reel w/ 30' of 3/8" Hose, High Flow Spray Valve (Blue) w/ Swivel, Vacuum Breaker, 3/8" NPT Flexible Water Connector, 8" Wall Mount Mixing Faucet w/ Quarter-Turn Cerama Cartridges w/ Check Valves & Control Valve

Product Compliance:
 NSF 61 Exempt (Non-Potable)
 2019 DOE PRSV Non-Compliant
 ASSE 1056 (VB)



T&S BRASS AND BRONZE WORKS, INC.

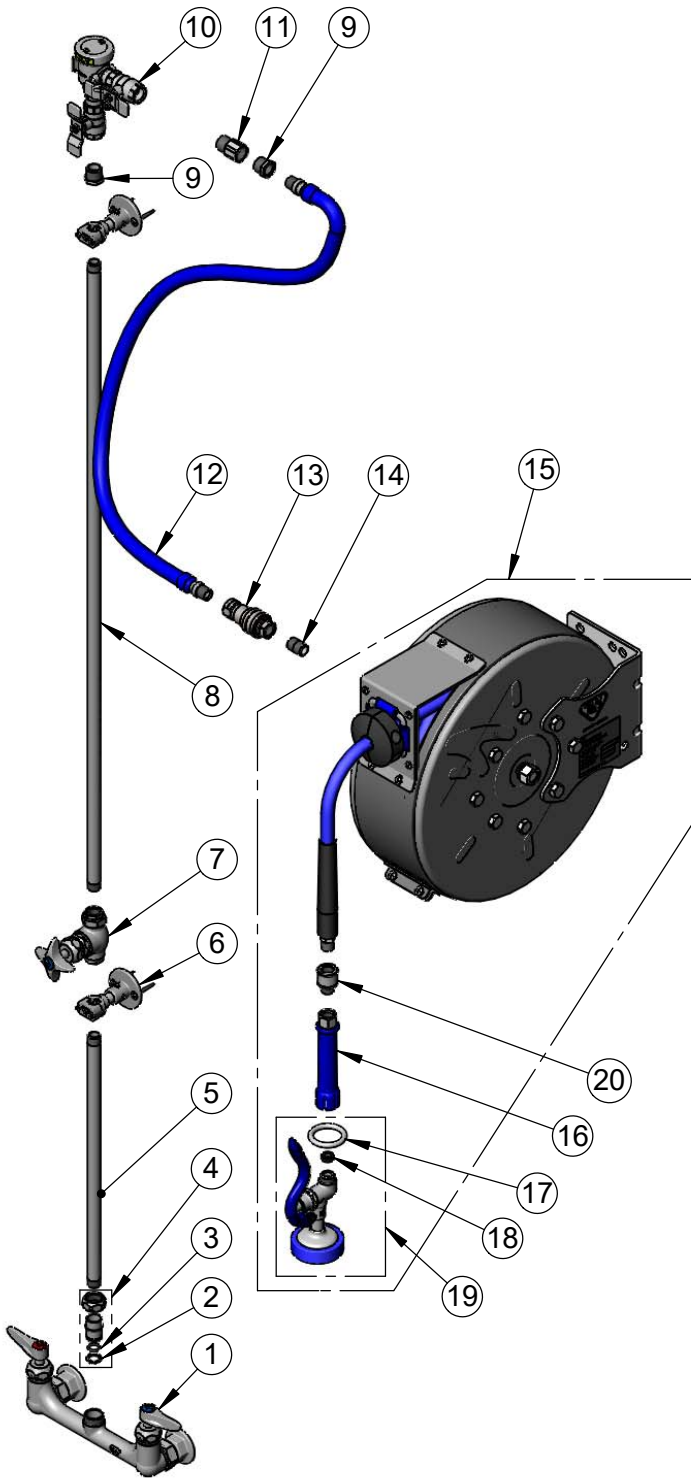
2 Saddleback Cove / P.O. Box 1088
Travelers Rest, SC 29690

Model No.

B-7222-C01XS1C

Item No.

Travelers Rest, SC: 800-476-4103 • Simi Valley, CA: 800-423-0150 • Fax: 864-834-3518 • www.tsbrass.com



| ITEM NO. | SALES NO. | DESCRIPTION |
|----------|--------------|---|
| 1 | B-0230-CR-LN | 8" Wall Mount Mixing Faucet w/ Ceramas & Check Valves |
| 2 | 014200-45 | Star Washer, Anti-Rotation |
| 3 | 001065-45 | O-Ring |
| 4 | EZ-K | EasyInstall Kit |
| 5 | 000368-40 | 3/8" NPT x 16" Riser |
| 6 | B-0109-07 | Wall Bracket |
| 7 | 0RK3 | Control Valve |
| 8 | 002558-40 | 3/8" NPT x 40" Riser |
| 9 | 001359-40 | Hex Bushing, 1/2" NPT Male x 3/8" NPT Female |
| 10 | B-0963 | 1/2" NPT Continuous Pressure Vacuum Breaker w/ Integral Check Valve |
| 11 | 015073-40 | Check Valve w/ 1/2" NPT Adapter |
| 12 | HW-2B-36 | 3/8" NPT x 36" Flexible Water Hose |
| 13 | AW-5B | 3/8" NPT Quick Disconnect |
| 14 | 002535-25 | 3/8" Close Nipple |
| 15 | B-7222-C01 | Enclosed Hose Reel w/ 3/8" x 30' Hose |
| 16 | 012504-40 | Grip Handle (Blue), 3/8" NPT |
| 17 | 000907-45 | Spray Valve Hold Down Ring |
| 18 | 010476-45 | #27 Washer |
| 19 | EB-0107 | High Flow Spray Valve (Blue) |
| 20 | 019652-40 | 3/8" NPT Live Swivel |

Product Specifications:

Enclosed Coated Hose Reel w/ 30' of 3/8" Hose, High Flow Spray Valve (Blue) w/ Swivel, Vacuum Breaker, 3/8" NPT Flexible Water Connector, 8" Wall Mount Mixing Faucet w/ Quarter-Turn Cerama Cartridges w/ Check Valves & Control Valve

Product Compliance:

NSF 61 Exempt (Non-Potable)
2019 DOE PRSV Non-Compliant
ASSE 1056 (VB)