



T&S BRASS AND BRONZE WORKS, INC.  
 2 SADDLEBACK COVE / P.O. BOX 1088 / TRAVELERS REST, SC 29690  
 PHONE 800-476-4103 - FAX 864- 834-3518



REG.#A2601  
 ISO #9001

Sales No.

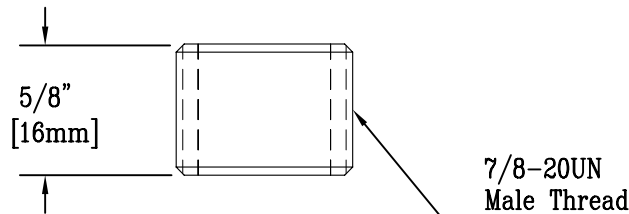
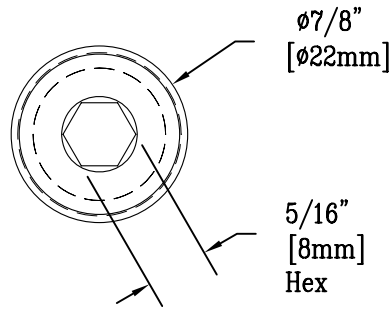
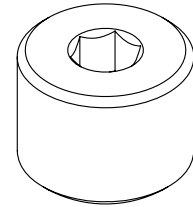
014554-25

RELIABILITY  
 BUILT IN

Job Name:

Architect/Engineer Approval:

Notes:



Finish: Chrome Plated

Product Description:  
 7/8-20UN Close Nipple  
 (Chrome Plated)

Drawn: DHL	Checked MAV	Scale: 1:1
Approved JHB		Date: 01/21/09