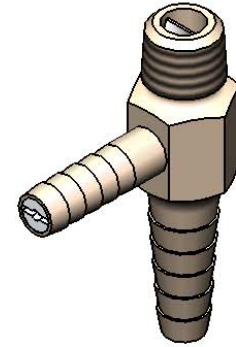
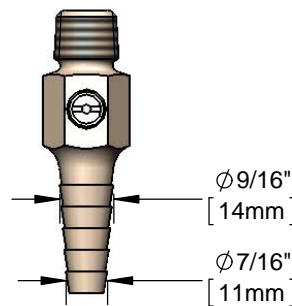
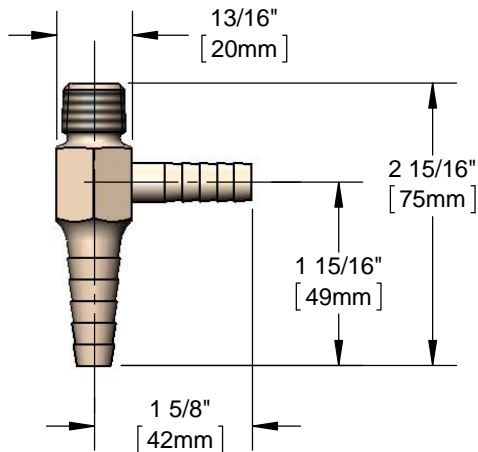




**Architect/Engineering Specifications:**

Aspirator with chrome plated brass body, 3/32" orifice with check valve, 1/4" orifice, serrated rip and 3/8" NPT male inlet.

Job Name _____
Model Specified _____ Quantity _____
Variations Specified _____
Date _____



**Features & Benefits:**

- Aspirator w/ chrome plated brass body
- 3/32" orifice w/ check valve
- 1/4" orifice
- serrated trip
- 3/8" NPT male inlet
- Creates suction by water flow
- Material: Chrome plated brass body

**Product Compliance:**

- NSF 61 Exempt (Non-Potable)

**Warranty:** One Year (Limited)

**Performance Data:**

- N/A

