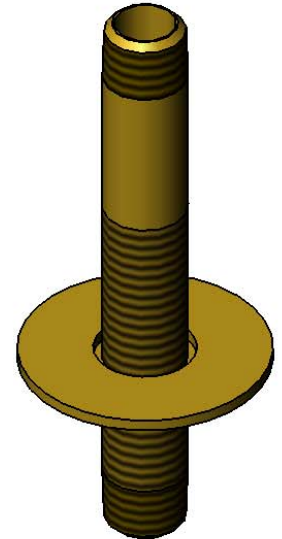
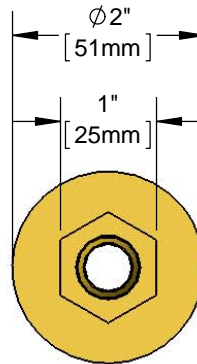
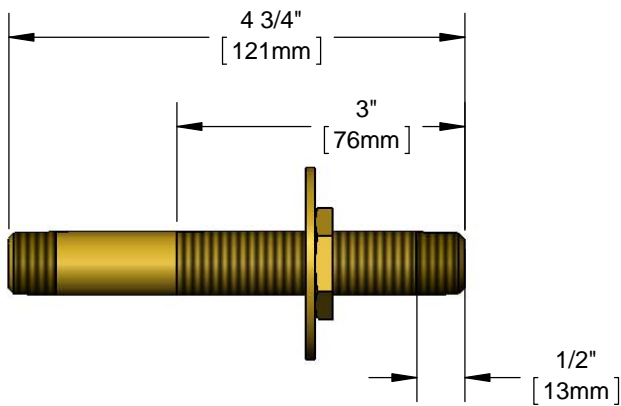




Architect/Engineering Specifications:

3/8" NPT supply nipple w/ brass body, 3/8" NPSL brass locknut and 3/8" I.D brass washer combination.

Job Name _____
 Model Specified _____ Quantity _____
 Variations Specified _____
 Date _____



Features & Benefits:

- Supply nipple w/ brass body
- 3/8" NPSL brass locknut
- 3/8" I.D brass washer
- Material: Brass

Product Compliance:

- N/A

Warranty: One Year (Limited)

Performance Data:

- N/A

