



T&S BRASS AND BRONZE WORKS, INC.
 2 Saddleback Cove / P.O. Box 1088
 Travelers Rest, SC 29690

Model No.
B-2711-LH

Item No.

Travelers Rest, SC: 800-476-4103 • Simi Valley, CA: 800-423-0150 • Fax: 864-834-3518 • www.tsbrass.com



ADA Compliant

This Space for Architect/Engineer Approval

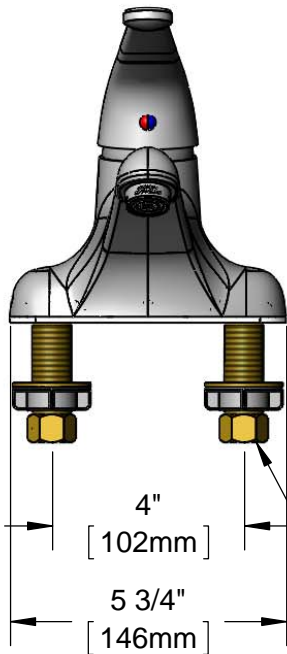
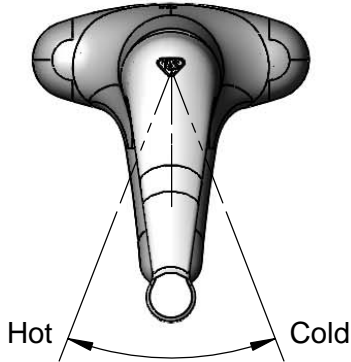
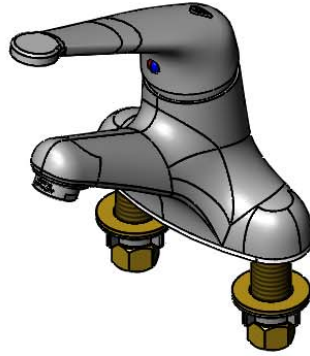
Job Name _____ Date _____

Model Specified _____ Quantity _____

Customer/Wholesaler _____

Contractor _____

Architect/Engineer _____



6 3/8"
[162mm]
"OFF"

2.2 GPM
Aerator

2 5/16"
[58mm]

8 1/4"
[210mm]
"Full ON"

Mounting
Surface

1 3/8"
[35mm]
Maximum
Thickness

1/2" NPSM Male Inlets
w/ Coupling Nuts

4"
[102mm]

5 3/4"
[146mm]

2 5/16"
[59mm]

4 3/8"
[111mm]

Rough-In Requirement:
 (2) ϕ 1" [25mm] Mounting Holes

Product Specifications:
 4" Deck Mount Single Lever Faucet, Long Handle, Temperature Limit Stop,
 Ceramic Cartridge & 1/2" NPSM Male Inlets

Product Compliance:
 ASME A112.18.1 / CSA B125.1
 NSF 61 - Section 9
 NSF 372 (Low Lead Content)
 ANSI A117.1 (ADA)



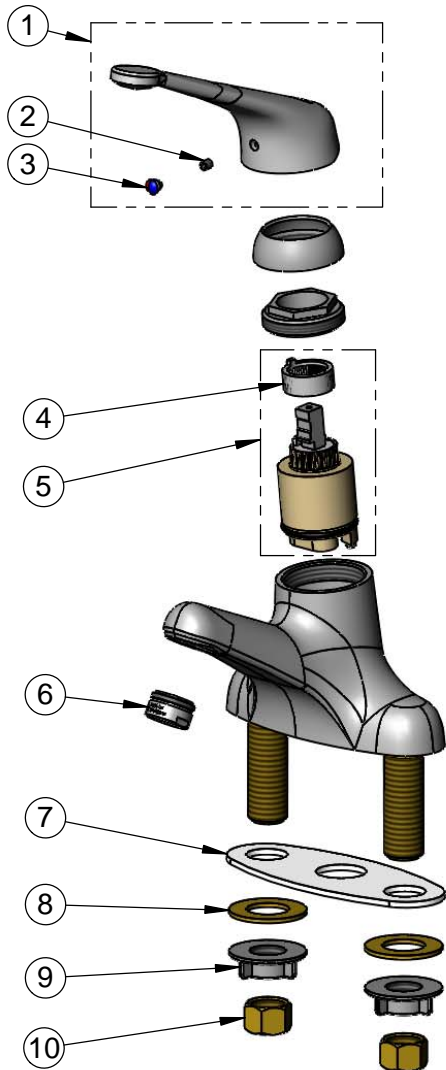
T&S BRASS AND BRONZE WORKS, INC.
 2 Saddleback Cove / P.O. Box 1088
 Travelers Rest, SC 29690

Model No.
B-2711-LH

Item No.

Travelers Rest, SC: 800-476-4103 • Simi Valley, CA: 800-423-0150 • Fax: 864-834-3518 • www.tsbrass.com

ITEM NO.	SALES NO.	DESCRIPTION
1	013429-45	Single Lever Long Handle
2	016661-45	Trim Ring
3	016663-45	Locking Nut
4	015400-45	Temperature Limit Stop
5	013111-45	Single Lever Ceramic Cartridge
6	B-0199-04	2.2 GPM Aerator, 15/16-27 Male
7	014167-45	Deck Gasket
8	000999-45	Brass Lock Washer
9	016673-45	Shank Nut
10	000958-20	Coupling Nut



Product Specifications:
 4" Deck Mount Single Lever Faucet, Long Handle, Temperature Limit Stop,
 Ceramic Cartridge & 1/2" NPSM Male Inlets

Product Compliance:
 ASME A112.18.1 / CSA B125.1
 NSF 61 - Section 9
 NSF 372 (Low Lead Content)
 ANSI A117.1 (ADA)