



Medical Bedpan Washers

B-0685

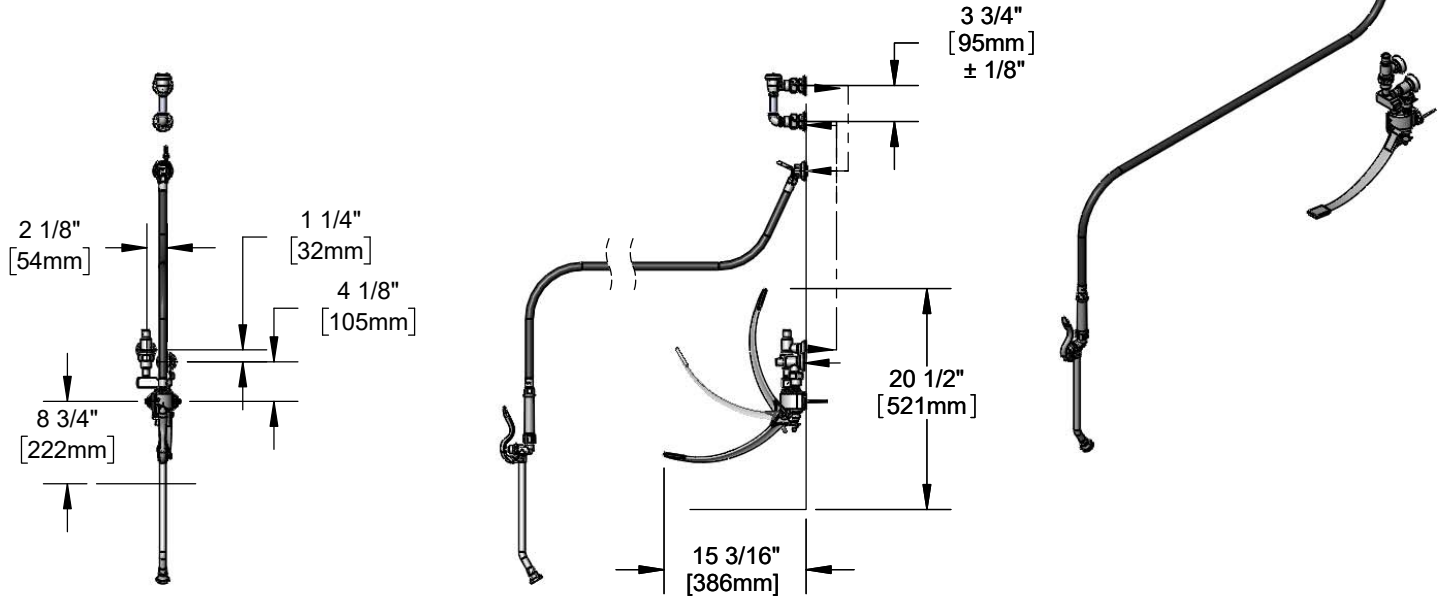
TAG:

Bedpan Washer

Architect/Engineering Specifications:

Wall mount single pedal valve with angled loose key stops, 3/8" NPT angled volume control, 3/8" NPT atmospheric vacuum breaker, 3/8" NPT wall hook outlet, spray valve with extended nozzle with 2.2 GPM rosespray and 68" PVC hose and 1/2" NPT female inlets. Certified to ASME A112.18.1/CSA B125.1 and ASSE 1001.

Job Name _____
 Model Specified _____ Quantity _____
 Variations Specified _____
 Date _____



Features & Benefits:

- Wall mount single pedal valve with polished chrome plated brass body
- Pedal valve with 1/2" NPT female angled loose key stop
- Volume control valve with 3/8" NPT female outlet on pedal valve
- Wall hook with 3/8" NPT flange inlet
- Elevated vacuum breaker
- 68" PVC hose with self closing spray valve and extended spray nozzle w/ 2.2 GPM rosespray
- Material: Polished chrome plated brass body and spray valve body, vacuum breaker & adjustable flanges and chrome plated metal pedal

Product Compliance:

- ASME A112.18.1 / CSA B125.1
- ASSE 1001 (VB)
- 2019 DOE PRSV Non-Compliant



Warranty: One Year (Limited)

Performance Data:

- Pressure: 20 - 125 psi
- Temperature: 40°F - 140°F
- Flow Rate: 2.2 GPM @ 60 psi



T&S BRASS AND BRONZE WORKS, INC.



• 2 Saddleback Cove • Travelers Rest, SC 29690
 Ph 800-476-4103 • Fax 864-834-3518
 • Simi Valley, CA • Ph 800-423-0150 • www.tsbrass.com

Date: 08/01/19