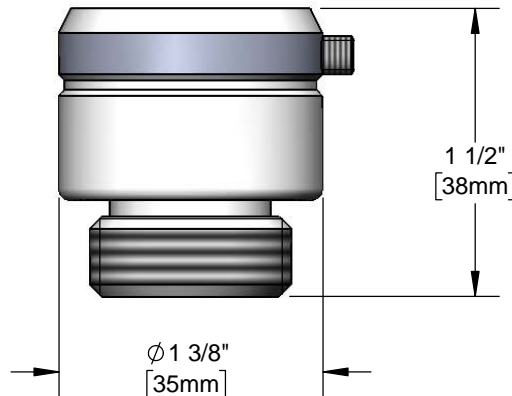




Architect/Engineering Specifications:

Atmospheric vacuum breaker with polished chrome plated brass body, 3/4" garden hose female inlet and male outlet. Certified to ASME A112.18.3, NSF 61-Section 9, NSF 372 and ASSE 1011.

Job Name _____
 Model Specified _____ Quantity _____
 Variations Specified _____
 Date _____



Features & Benefits:

- Atmospheric vacuum breaker w/ polished chrome plated brass body
- 3/4" garden hose female inlet and outlet
- Material: Polished chrome plated brass body

Product Compliance:

- ASME A112.18.3
- NSF 61 - Section 9
- NSF 372 (Low Lead Content)
- ASSE 1011 (VB)

Warranty: One Year (Limited)

Performance Data:

- Pressure: 20 - 125 psi
- Temperature: 40 °F - 140 °F
- Flow Rate: 13.90 GPM @ 60 psi

