



T&S BRASS AND BRONZE WORKS, INC.
 2 Saddleback Cove / P.O. Box 1088
 Travelers Rest, SC 29690

Model No.
EC-HYDROGEN-LF

Item No.

Travelers Rest, SC: 800-476-4103 • Simi Valley, CA: 800-423-0150 • Fax: 864-834-3518 • www.tsbrass.com

This Space for Architect/Engineer Approval

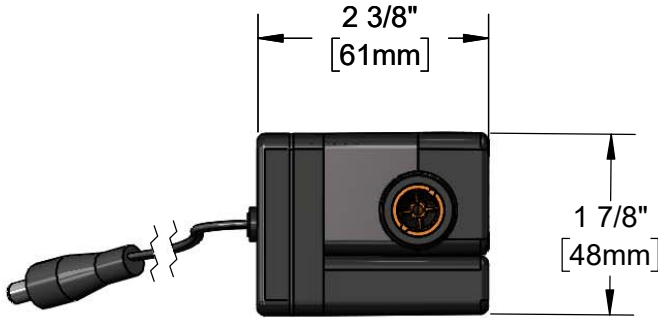
Job Name _____ Date _____

Model Specified _____ Quantity _____

Customer/Wholesaler _____

Contractor _____

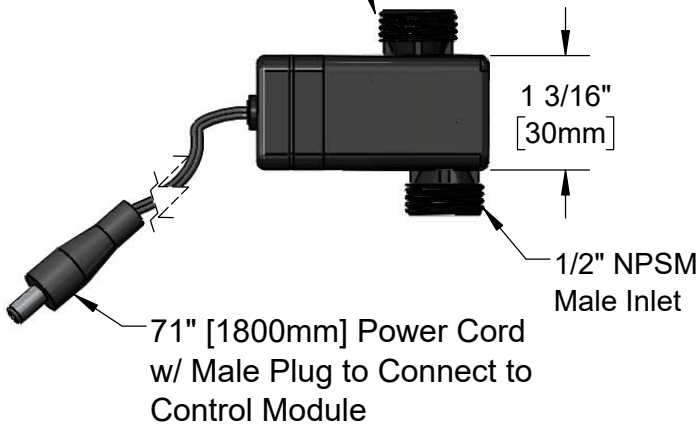
Architect/Engineer _____



017506-45
 1/2" NPSM Swivel
 Coupling (Included)



1/2" NPSM
 Male Outlet



Note:

1. Flow Rate Range of 0.5 GPM Minimum to 1.0 GPM Maximum is Required in Applications Using EC-HYDROGEN-LF
2. A Minimum of Ten Activations per Day at 0.5 GPM Min. and 20 PSI Min. are Required to Maintain Charge

Product Specifications:
 Low Flow Hydro-Generator Accessory Package for
 ChekPoint Electronic Sensor Faucet Models

Product Compliance:
 ASME A112.18.1 / CSA B125.1
 NSF 61 - Section 9
 NSF 372 (Low Lead Content)