



Eyewash Stations

EW-7612

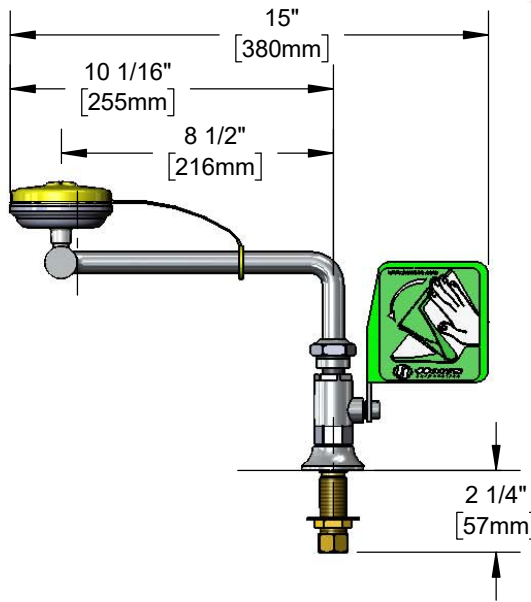
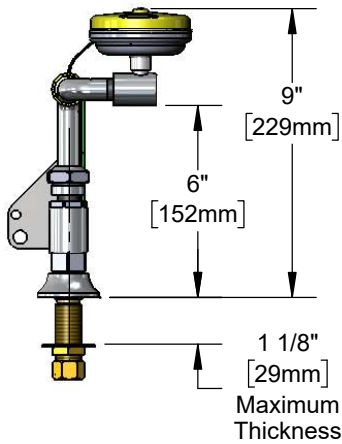
TAG:

Right Side Eyewash Unit

Architect/Engineering Specifications:

Countertop mounted polished chrome plated brass eye/face wash, right side mount, polyethylene dust cover and 1/2" O.D. slip joint. Certified to ANSI Z358.1.

Job Name _____
 Model Specified _____ Quantity _____
 Variations Specified _____
 Date _____



Features & Benefits:

- Countertop mounted polished chrome plated brass eye/face wash
- Mounted on right side of sink
- Polyethylene dust cover
- 1/2" O.D. slip joint
- Material: Chrome plated brass eye/face wash and polyethylene dust cover

Product Compliance:

- ANSI Z358.1 (Latest Revision)
- NSF 61 Exempt (Non-Potable)



Warranty: One Year (Limited)

Performance Data:

- Pressure: 30 - 90 psi
- Temperature: 60 °F - 100 °F
- Flow Rate: 3.7 GPM @ 60 psi



T&S BRASS AND BRONZE WORKS, INC.



• 2 Saddleback Cove • Travelers Rest, SC 29690
 Ph 800-476-4103 • Fax 864-834-3518
 • Simi Valley, CA • Ph 800-423-0150 • www.tsbrass.com

Date: 06/25/18