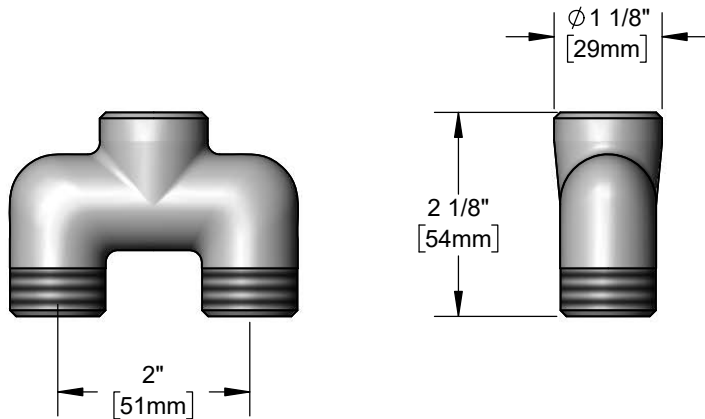




Architect/Engineering Specifications:

Polished chrome plated "Y" yoke with 1-14 UN male inlet and 1/2" NPT female outlet. Certified to NSF 61-Section 9 and NSF 372.

Job Name _____
 Model Specified _____ Quantity _____
 Variations Specified _____
 Date _____



Features & Benefits:

- "Y" yoke
- 1-14 UN male inlet
- 1/2" NPT female outlet
- Material: Polished chrome plated brass

Product Compliance:

- NSF 61 - Section 9
- NSF 372 (Low Lead Content)



Warranty: One Year (Limited)



Performance Data:

- N/A

