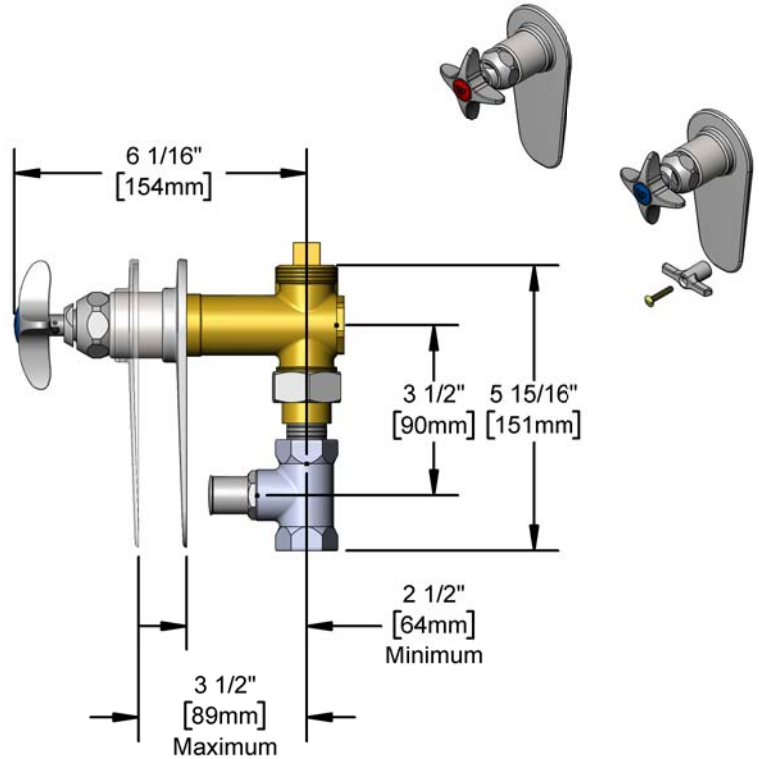
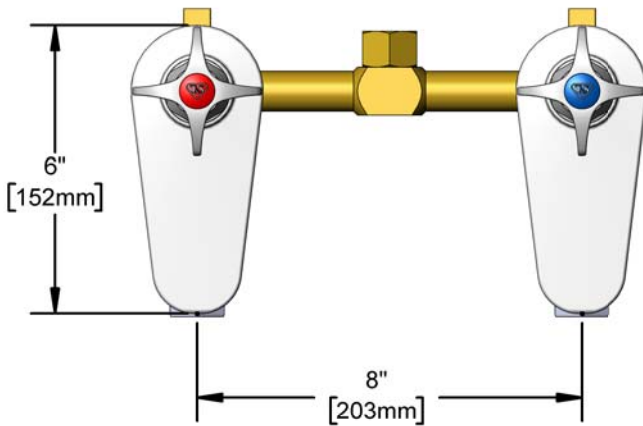




Architect/Engineering Specifications:

8" concealed bypass mixing valve with polished chrome plated brass adjustable wall flanges and sleeves, 1/2" NPT female outlet, compression cartridges with spring checks, 4-arm handles, and 1/2" NPT female loose key straight stop inlets with tee handles. Certified to ASME A112.18.1/CSA B125.1, NSF 61-Section 9 and NSF 372. Meets ADA ANSI/ICC A117.1 requirements.

Job Name _____
 Model Specified _____ Quantity _____
 Variations Specified _____
 Date _____



Features & Benefits:

- 8" concealed bypass mixing valves with brass body
- 6" tall polished chrome plated brass adjustable wall flanges and sleeves
- 1/2" NPT female outlet
- Quarter-turn Eterna compression cartridges w/ spring checks to prevent cross flow of water
- 4-arm handles and color coded indexes
- 1/2" NPT female loose key straight stop inlets with tee handles
- Material: Brass valve bodies, polished chrome plated brass adjustable wall flanges & sleeves and chrome plated metal handles

Optional Cartridges With Checks

- Quarter-Turn Cerama w/ Check Valve
- Quarter-Turn Eterna w/ Spring Check (Standard)

Product Compliance:

- ASME A112.18.1 / CSA B125.1
- NSF 61 - Section 9
- NSF 372 (Low Lead Content)
- ANSI A117.1 (ADA)
- Product Not Designed/Intended for Bath/Shower Applications

Warranty: One Year (Limited)

Performance Data:

- Pressure: 20 - 125 psi
- Temperature: 40°F - 140°F
- Flow Rate: 7.68 GPM @ 60 psi

Optional Handles

- 4" Wrist Action
- Lever
- 4-Arm(Standard)

