



T&S BRASS AND BRONZE WORKS, INC.

2 Saddleback Cove / P.O. Box 1088
Travelers Rest, SC 29690

Model No.

B-0475-LKS

Item No.

Travelers Rest, SC: 800-476-4103 • Simi Valley, CA: 800-423-0150 • Fax: 864-834-3518 • www.tsbrass.com

This Space for Architect/Engineer Approval

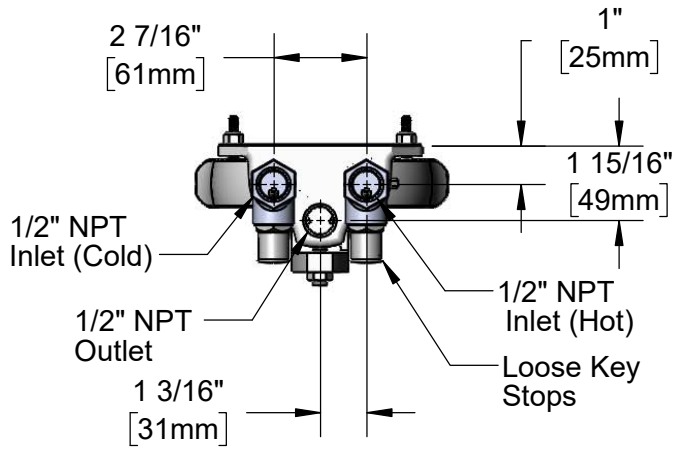
Job Name _____ Date _____

Model Specified _____ Quantity _____

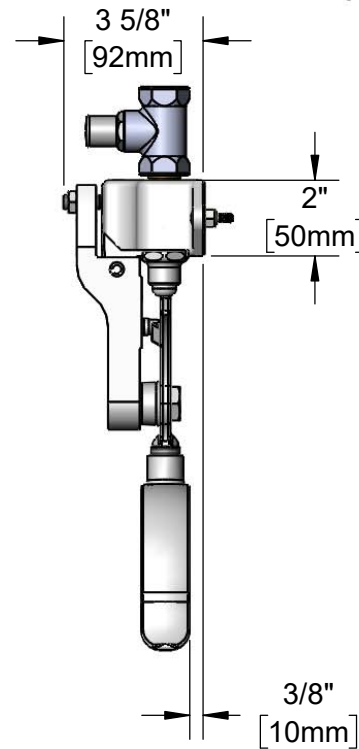
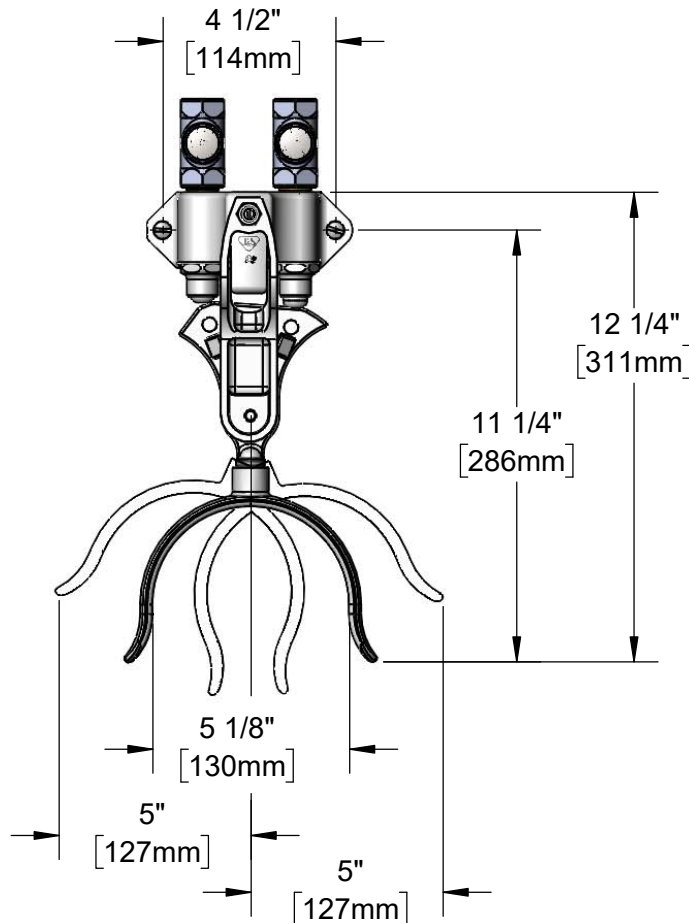
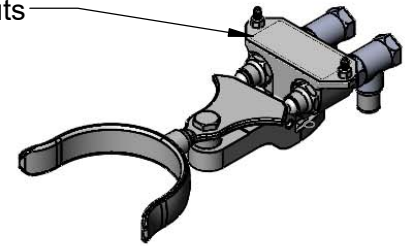
Customer/Wholesaler _____

Contractor _____

Architect/Engineer _____



Furnished w/ Cover Plate, 1/4-20 Screws & Nuts



Product Specifications:

Knee Action Valve with Loose Key Stops

Product Compliance:

ASME A112.18.1 / CSA B125.1
NSF 61 - Section 9
NSF 372 (Low Lead Content)



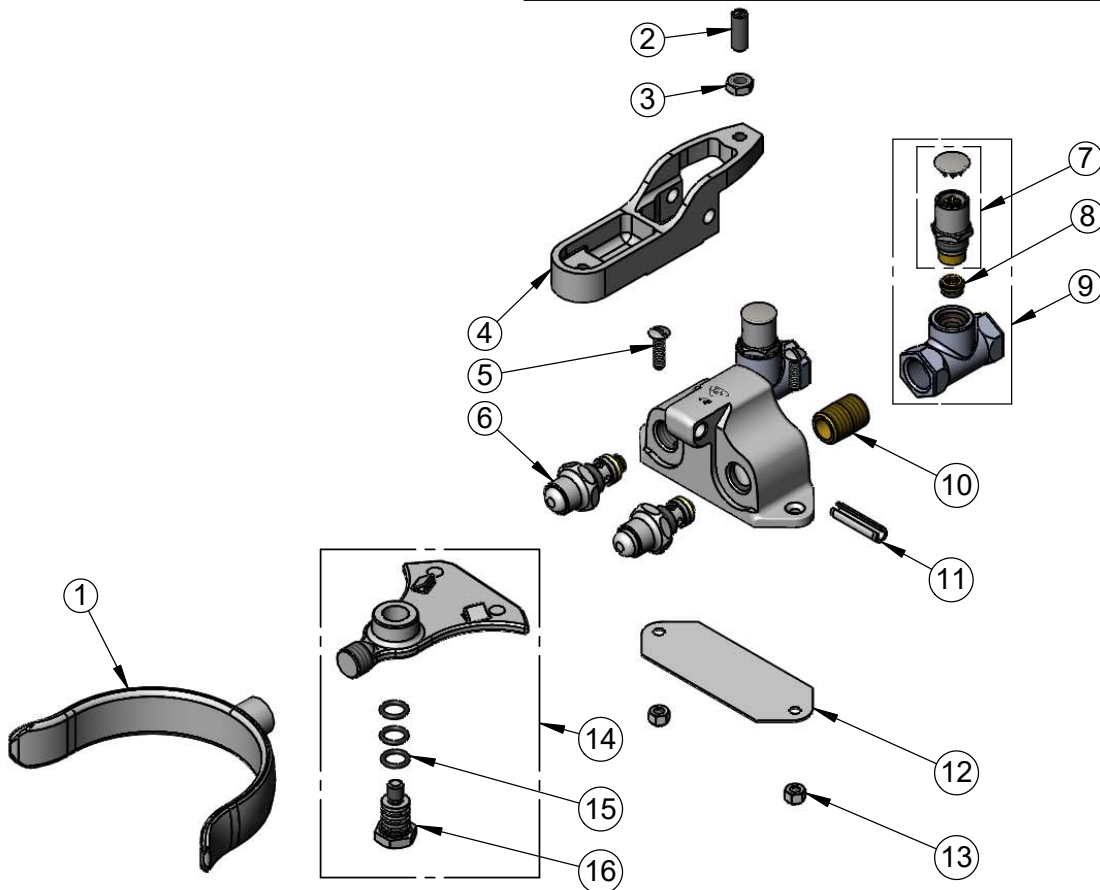
T&S BRASS AND BRONZE WORKS, INC.
 2 Saddleback Cove / P.O. Box 1088
 Travelers Rest, SC 29690

Model No.
B-0475-LKS

Item No.

Travelers Rest, SC: 800-476-4103 • Simi Valley, CA: 800-423-0150 • Fax: 864-834-3518 • www.tsbrass.com

ITEM NO.	SALES NO.	DESCRIPTION
1	000125-40	Knee Stirrup
2	001123-45	Nylon Set Screw
3	000952-45	Nut
4	000124-40	Cantilever
5	000919-45	Screw
6	002983-40	Bonnet Assembly
7	166A	Service Stop w/ Cap, T-Handle & Screw
8	000763-20	Seat
9	B-0416	Loose Key Straight Stop
10	002534-20	Nipple, Close - 1/2" NPT
11	001310-45	Roll Pin
12	001253-45	Cover Plate
13	000951-45	Nylon Lock Nut
14	000123-40	Cam
15	001065-45	O-Ring (1)
16	000630-40	Cam Bolt



Product Specifications:
 Knee Action Valve with Loose Key Stops

Product Compliance:
 ASME A112.18.1 / CSA B125.1
 NSF 61 - Section 9
 NSF 372 (Low Lead Content)