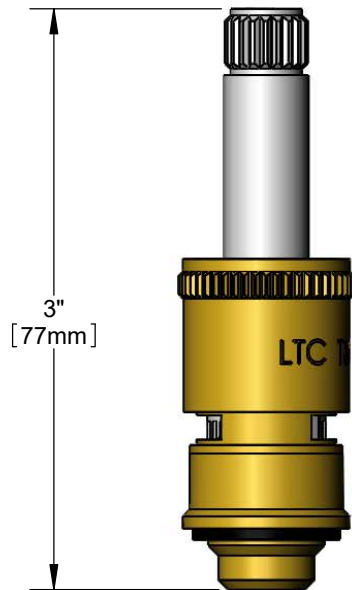




Architect/Engineering Specifications:

Cerama Cartridge, LTC without bonnet. Fits all T&S faucets. Certified to NSF 61-Section 9 and NSF 372.

Job Name _____
 Model Specified _____ Quantity _____
 Variations Specified _____
 Date _____



Features & Benefits:

- Cerama Cartridge, LTC without bonnet
- Fits all T&S faucets
- Material: Brass

Product Compliance:

- ASME A112.18.1 / CSA B125.1
- NSF 61 - Section 9
- NSF 372 (Low Lead Content)



Warranty: Lifetime (Limited)

Performance Data:

- Pressure: 20 - 125 psi [1.38 - 8.62 bar]
- Temperature: 40 °F - 180 °F [4.44 °C - 82 °C]
- Flow Rate: 7.66 GPM [29.00 L/min] @ 60 psi [4.14 bar]

