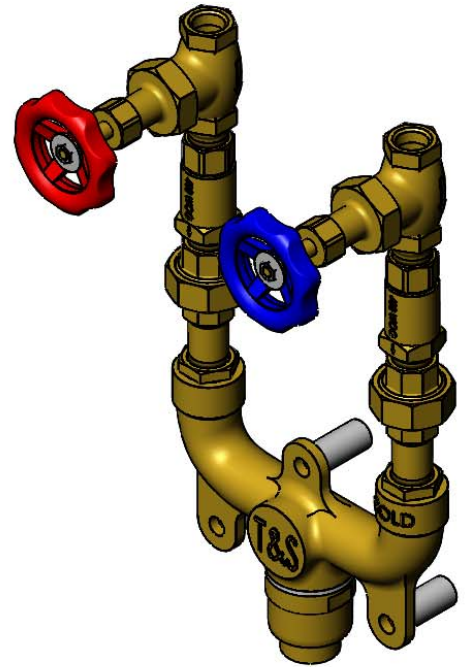
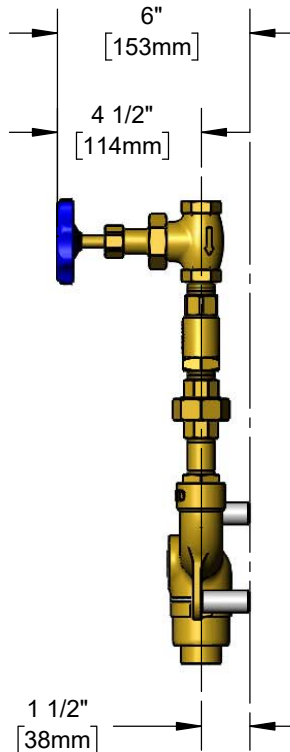
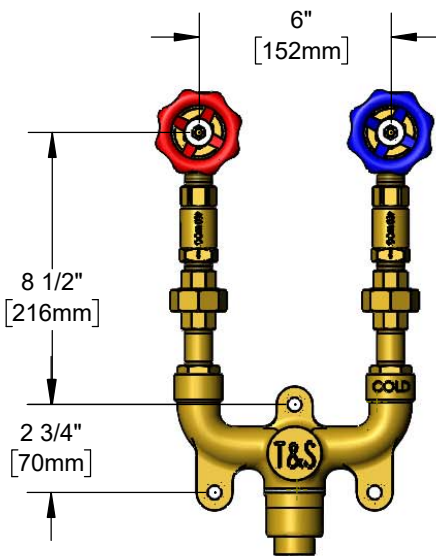




Architect/Engineering Specifications:

1/2" brass mixing valve with (2) check valves, (2) globe valves, 1/2" NPT female thread inlets and 3/4" NPT female thread outlet.

Job Name _____
 Model Specified _____ Quantity _____
 Variations Specified _____
 Date _____



Features & Benefits:

- 1/2" mixing valve
- (2) check valves
- (2) globe valves
- 1/2" NPT female thread inlets
- 3/4" NPT female thread outlet
- Material : Natural finish brass mixing valve, check valves and globe valves

Product Compliance:

- NSF 61 Exempt (Non-Potable)

Warranty: One Year (Limited)

Performance Data:

- Pressure: 20 - 125 psi
- Temperature: 40 °F - 200 °F
- Flow Rate: 29.61 GPM @ 60 psi

(Outlet Device &/or Final Configuration May Reduce Flow Rate)

