



Architect/Engineering Specifications:

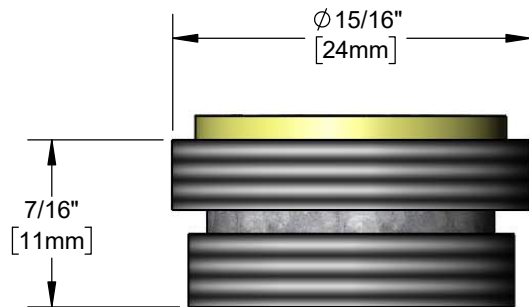
Rough chrome plated aerator adapter with 55/64-27 UN male x 15/16-27 UN male and washer. Certified to NSF 61-Section 9 and NSF 372.

Job Name _____

Model Specified _____ Quantity _____

Variations Specified _____

Date _____



Features & Benefits:

- Male aerator adapter w/ washer
- 55/64-27 UN male x 15/16-27 UN male
- Material: Rough chrome plated brass

Product Compliance:

- NSF 61 - Section 9
- NSF 372 (Low Lead Content)



Warranty: One Year (Limited)

Performance Data:

- N/A

