

This Space for Architect/Engineer Approval

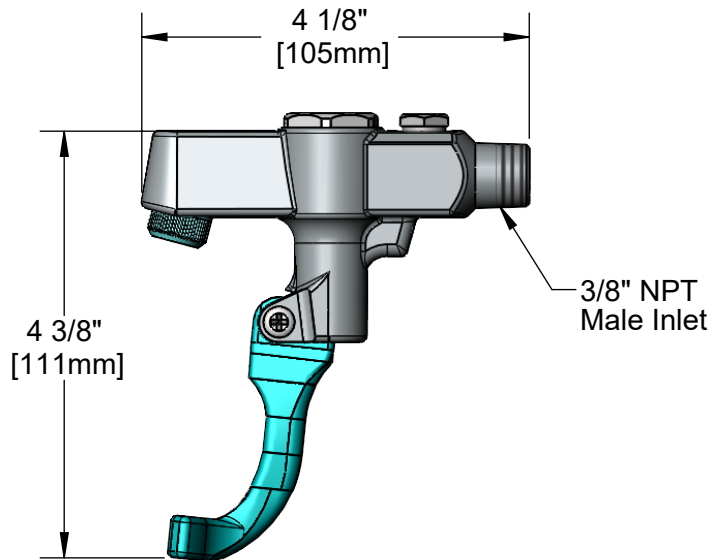
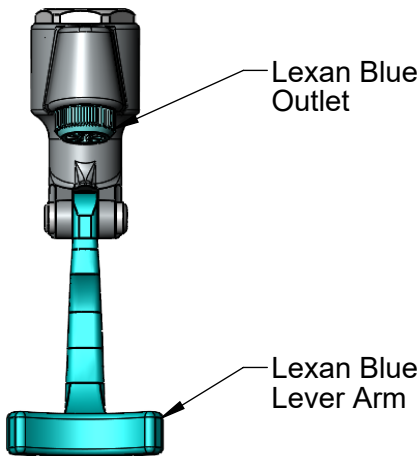
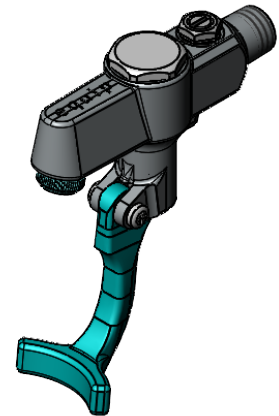
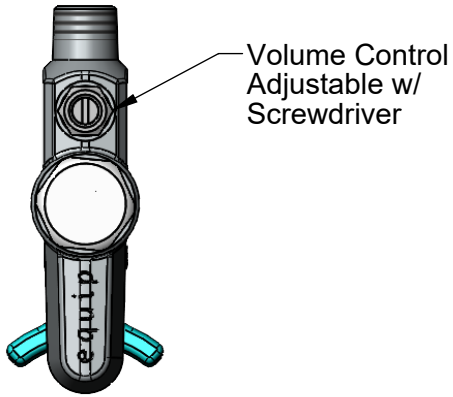
Job Name _____ Date _____

Model Specified _____ Quantity _____

Customer/Wholesaler _____

Contractor _____

Architect/Engineer _____



Model Number

5GF-W

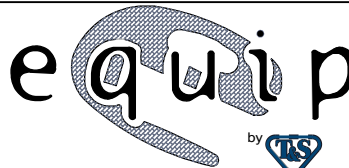
Product Specifications:

Wall Mounted Glass Filler, Push Back Design, 3/8" NPT Male Inlet, Blue Self-Closing Lexan Arm

Product Compliance:

ASME A112.18.1 / CSA B125.1
NSF 61 - Section 9
NSF 372 (Low Lead Content)
ANSI A117.1 (ADA)

equip
Foodservice
Accessories



2 Saddleback Cove, P.O. Box 1088
Travelers Rest, South Carolina 29690
Phone: 800.891.4808 Fax: 800.868.0084
equip.tsbrass.com

Drawn: TRK

Checked: JDR

Approved: JHB

Date: 10/19/23

Scale: 1:2

Sheet: 1 of 1