



Architect/Engineering Specifications:

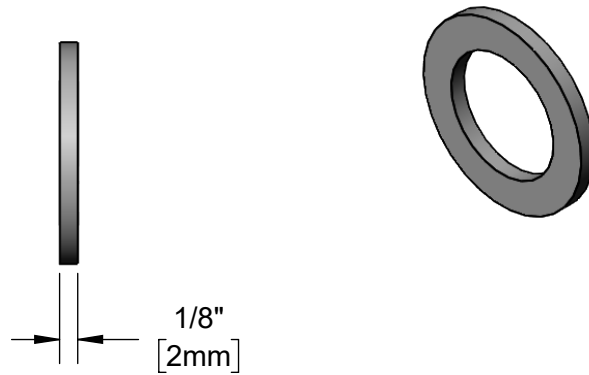
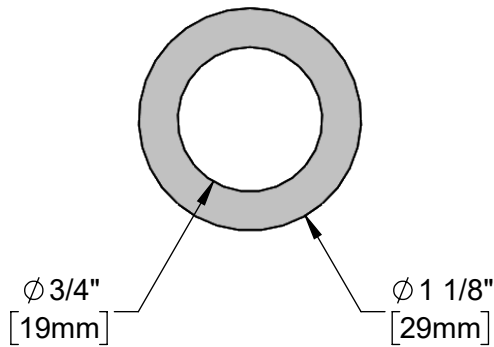
1 1/8" rubber inlet flange coupling washer for T&S UK products.

Job Name _____

Model Specified _____ Quantity _____

Variations Specified _____

Date _____



Features & Benefits:

- Rubber inlet flange coupling washer for T&S UK products
- Material: Rubber

Product Compliance:

- N/A

Warranty: One Year (Limited)

Performance Data:

- N/A

