



T&S BRASS AND BRONZE WORKS, INC.
 2 Saddleback Cove / P.O. Box 1088
 Travelers Rest, SC 29690

Model No.
B-7212-01

Item No.

Travelers Rest, SC: 800-476-4103 • Simi Valley, CA: 800-423-0150 • Fax: 864-834-3518 • www.tsbrass.com

This Space for Architect/Engineer Approval

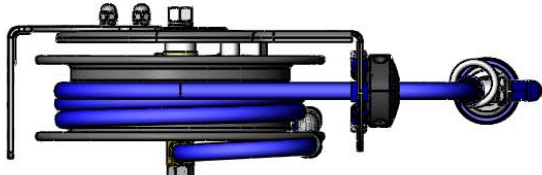
Job Name _____ Date _____

Model Specified _____ Quantity _____

Customer/Wholesaler _____

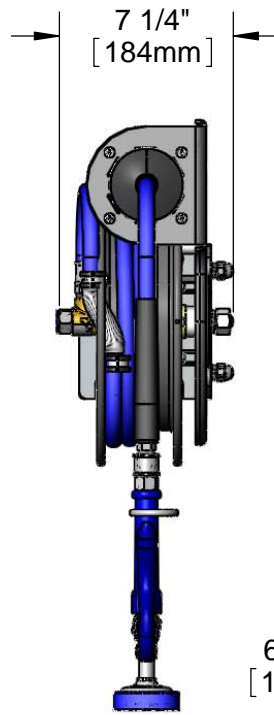
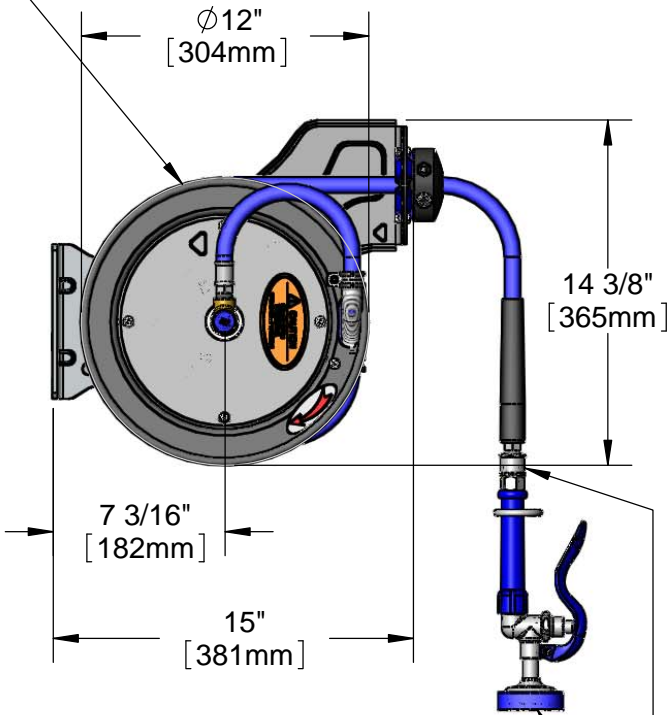
Contractor _____

Architect/Engineer _____



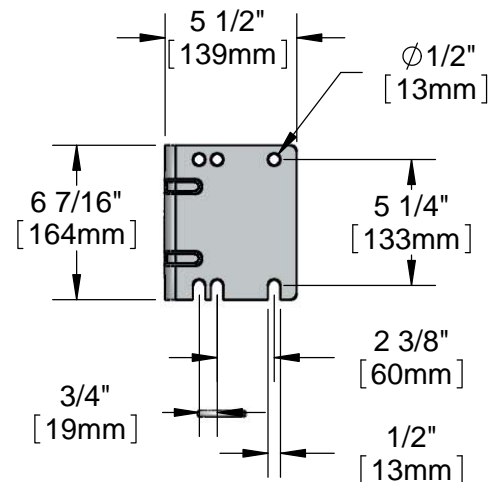
3/8" NPT Female Inlet
 (Left Side of Reel)

Open Coated Hose Reel
 15' of 3/8" Hose



019652-40
 3/8" NPT
 Live Swivel

EB-0107
 High Flow
 Spray Valve



Mounting Hole Details

Product Specifications:
 3/8" x 15' Open Coated Reel & High Flow Spray Valve & Swivel

Product Compliance:
 NSF 61 Exempt (Non-Potable)
 EPA Act 2005 Non-Compliant (PRSV)



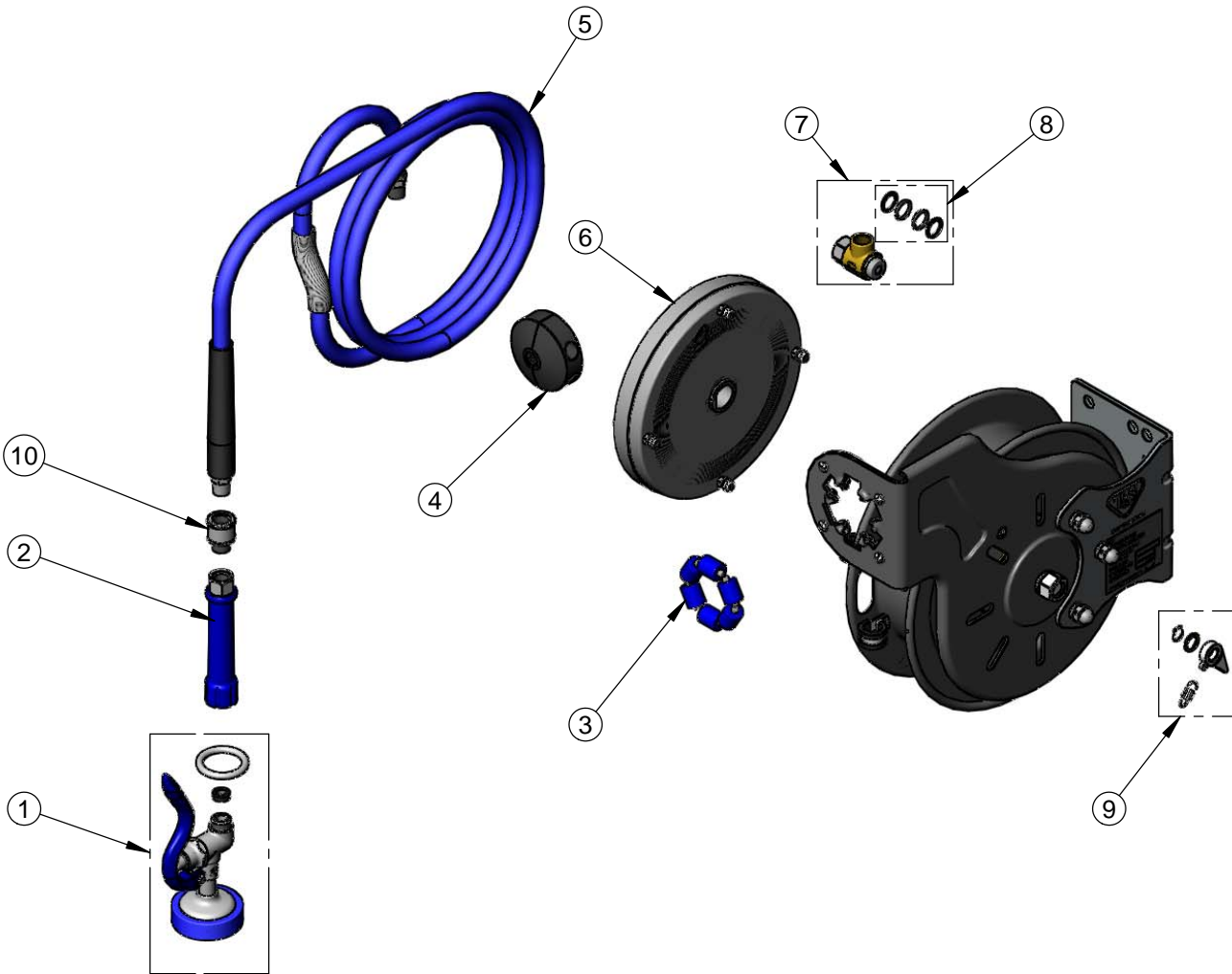
T&S BRASS AND BRONZE WORKS, INC.
 2 Saddleback Cove / P.O. Box 1088
 Travelers Rest, SC 29690

Model No.
B-7212-01

Item No.

Travelers Rest, SC: 800-476-4103 • Simi Valley, CA: 800-423-0150 • Fax: 864-834-3518 • www.tsbrass.com

ITEM NO.	SALES NO.	DESCRIPTION
1	EB-0107	High Flow Spray Valve (Blue)
2	012504-40	Grip Handle (Blue) w/ Washer
3	014938-45	Roller Repair Kit
4	014949-45	Hose Stop Repair Kit
5	014944-45	38" x 15' Hose Replacement Kit
6	014932-45	Small Coated Spring
7	014946-45	3/8" Swivel Repair Kit
8	014948-45	O-Ring Replacement Kit
9	014940-45	Ratchet Repair Kit
10	019652-40	3/8" NPT Live Swivel



Product Specifications:
 3/8" x 15' Open Coated Reel & High Flow Spray Valve & Swivel

Product Compliance:
 NSF 61 Exempt (Non-Potable)
 EPA Act 2005 Non-Compliant (PRSV)