



Service Sink / Mop Sink Faucets

B-2271-CR

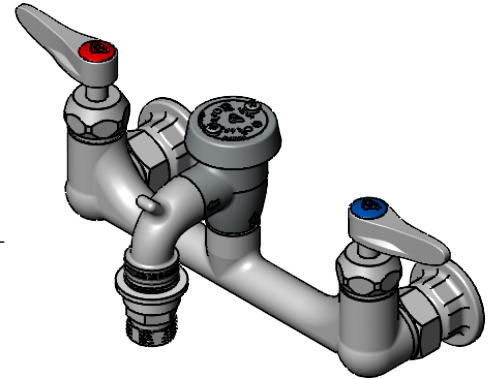
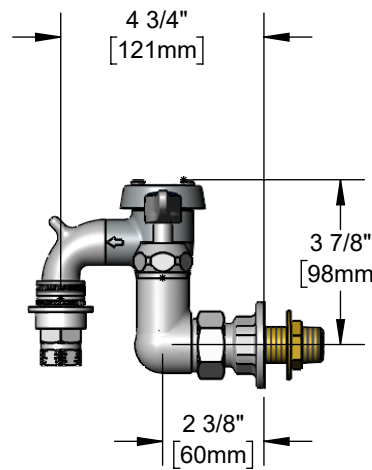
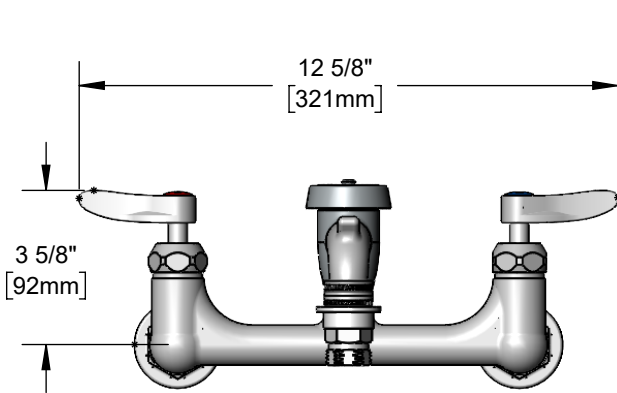
TAG:

Service Sink Faucet

Architect/Engineering Specifications:

8" wall mount mixing faucet with rough chrome plated brass body, rough chrome plated brass spout with vacuum breaker, pail hook and garden hose male outlet with quick disconnect fitting, ceramic cartridges with check valves, lever handles, 1/2" NPT female inlets and 1/2" NPT supply nipple kit. Certified to ASME A112.18.1/CSA B125.1, NSF 61-Section 9, NSF 372 and ASSE 1001. Meets ADA ANSI/ICC A117.1 requirements.

Job Name _____
 Model Specified _____ Quantity _____
 Variations Specified _____
 Date _____



Features & Benefits:

- 8" wall mount mixing faucet with rough chrome plated brass body
- Vacuum breaker spout with pail hook & 3/4" garden hose outlet w/ quick disconnect fitting
- Lever handles with color coded indexes
- Quarter-turn Cerama cartridges with check valves to prevent cross flow of water
- 1/2" NPT female eccentric inlets with Ø2" flanges
- Adjustable centers from 7 3/4" to 8 1/4"
- 1/2" NPT supply nipple kit
- Material: Rough chrome plated brass body, spout & inlets, chrome plated vacuum breaker and chrome plated metal handles

Product Compliance:

- ASME A112.18.1 / CSA B125.1
- NSF 61 - Section 9
- NSF 372 (Low Lead Content)
- ANSI A117.1 (ADA)
- ASSE 1001 (VB)



ADA Compliant



Warranty: One Year (Limited)

- Cerama Cartridge: Lifetime (Limited)

Performance Data:

- Pressure: 20 - 125 psi [1.38 - 8.62 bar]
- Temperature: 40°F - 140°F [4.44°C - 60°C]
- Flow Rate: 9.33 GPM [35.3 L/min] @ 60 psi [4.14 bar]

Optional Cartridges With Checks

- Quarter-Turn Cerama w/ Check Valve (Standard)
- Quarter-Turn Eterna w/ Spring Check

Optional Handles

- 4" Wrist Action
- Lever (Standard)
- 4-Arm



T&S BRASS AND BRONZE WORKS, INC.



• 2 Saddleback Cove • Travelers Rest, SC 29690
 Ph 800-476-4103 • Fax 864-834-3518
 • Simi Valley, CA • Ph 800-423-0150 • www.tsbrass.com

Date: 03/13/24