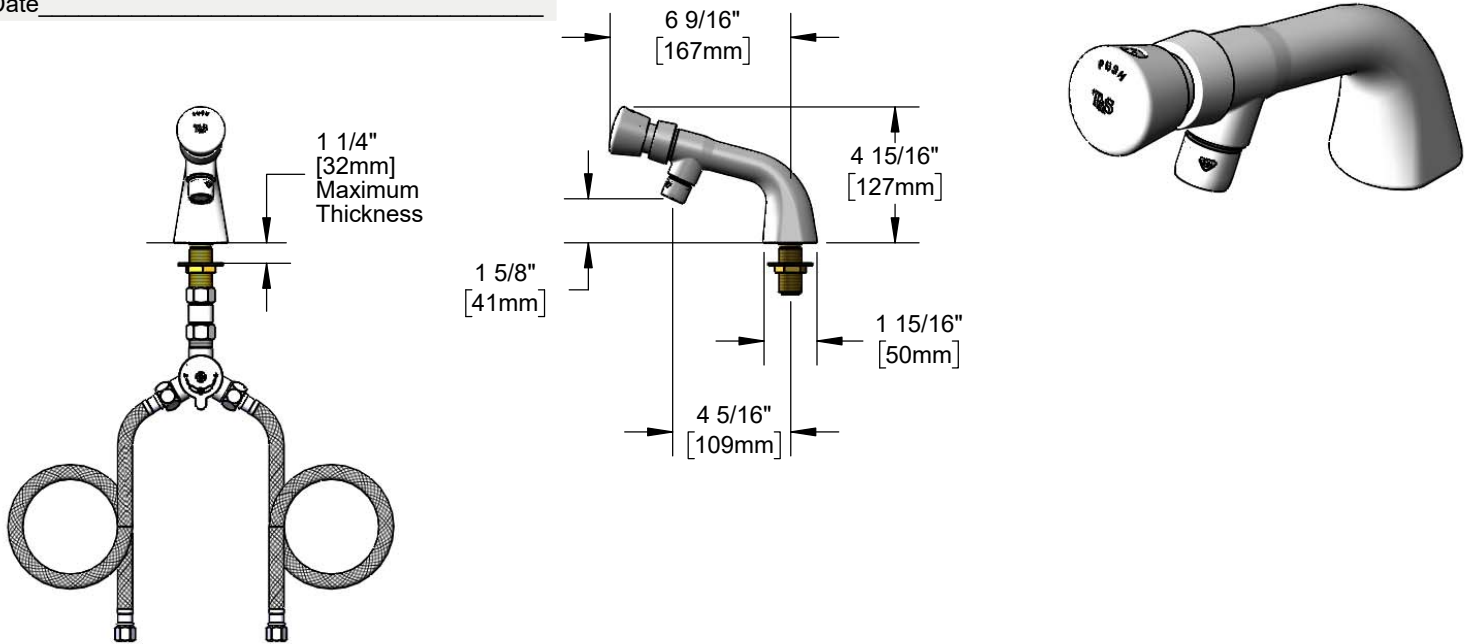




Architect/Engineering Specifications:

Single hole, single temperature, deck mount faucet with polished chrome plated brass body, 2.2 GPM aerator, metering cartridge, blank push button cap, mechanical mixing valve with integral check valves and 18" flexible stainless steel supply hoses with 3/8" compression female inlets. Certified to ASME A112.18.1/CSA B125.1, NSF 61-Section 9, and NSF 372. Meets ADA ANSI/ICC A117.1 requirements.

Job Name _____
 Model Specified _____ Quantity _____
 Variations Specified _____
 Date _____



Features & Benefits:

- Single hole, single temperature deck mount faucet w/ polished chrome plated brass body
- 2.2 GPM aerator, Series 2 (B-0199-02)
- Metering cartridge
- Adjustable metering cycle, 10 to 30 seconds
- Blank push button cap w/ vandal resistant screw
- Mechanical mixing valve w/ integral check valves
- 18" flexible stainless steel hoses w/ 3/8" compression female intlets
- Material: Polished chrome plated brass body and chrome plated metal handle

Product Compliance:

- ASME A112.18.1 / CSA B125.1
- NSF 61 - Section 9
- NSF 372 (Low Lead Content)
- ANSI A117.1 (ADA)

Warranty: One Year (Limited)

Performance Data:

- Pressure: 20 - 125 psi [1.38 - 8.62 bar]
- Temperature: 40 °F -140 °F [4.44 °C - 60 °C]
- Flow Rate: 2.2 GPM [8.33 L/min] @ 60 psi [4.14 bar]
- Water Consumption: @ 10 sec = .37 gal [1.40 L]
@ 15 sec = .55 gal [2.08 L]



ADA Compliant

Optional Outlets (Series 2 / VR Series 7)

GPM	Aerated	Non-Aerated (Laminar)	VR Aerated	VR Non-Aerated (VR Laminar)
0.35	N/A	<input type="checkbox"/> B-0199-02-N035	N/A	<input type="checkbox"/> B-0199-07-N035
0.5	N/A	<input type="checkbox"/> B-0199-02-N05	N/A	<input type="checkbox"/> B-0199-07-N05
1.0	<input type="checkbox"/> B-0199-02-F10	N/A	<input type="checkbox"/> B-0199-07-F10	N/A
1.2	<input type="checkbox"/> B-0199-02-F12	N/A	<input type="checkbox"/> B-0199-07-F12	N/A
1.5	<input type="checkbox"/> B-0199-02-WS	N/A	<input type="checkbox"/> B-0199-07-WS	N/A
2.2	Standard	N/A	<input type="checkbox"/> B-0199-07	N/A

Optional Cartridges

- Push Button Metering (Standard)
- Pivot Action Metering
- Wrist Action Metering

